

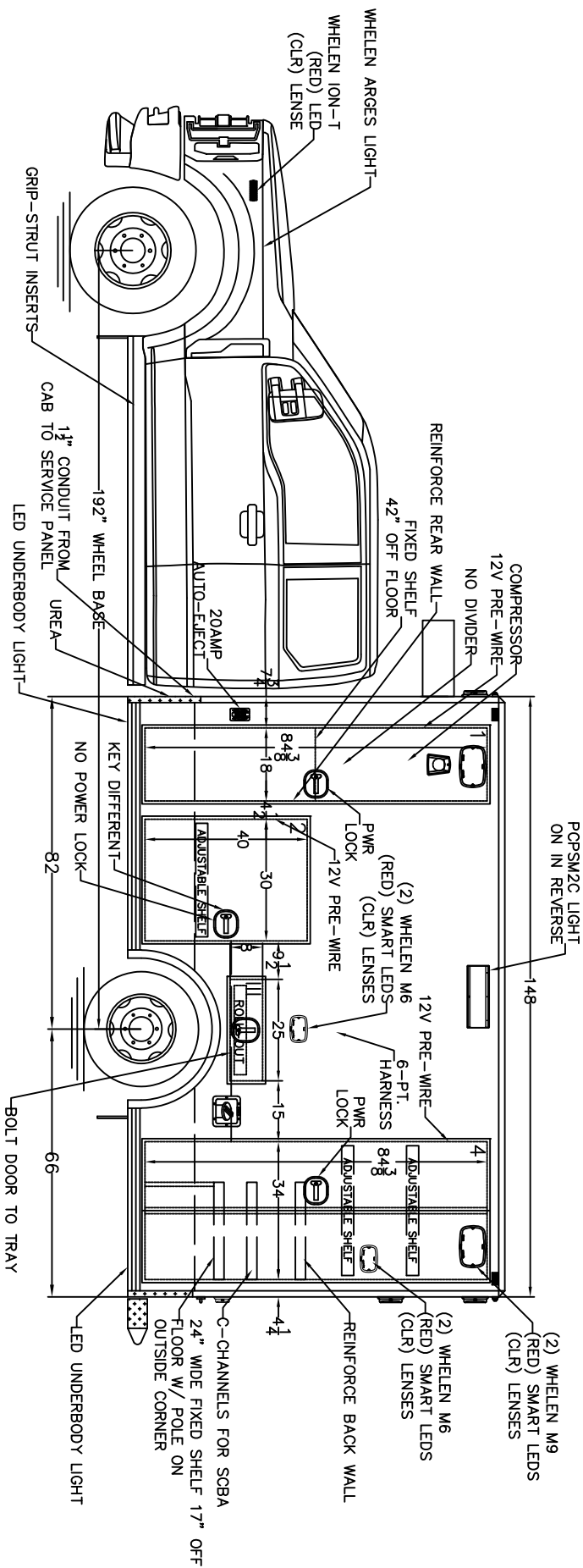
NOTES: THIS DRAWING IS NOT TO SCALE
 CHARACTERISTICS AND DIMENSIONS OF FINISHED PRODUCT MAY VARY.

NOTES:
 1.) COMPARTMENT DIMENSIONS REFLECT OPENING CLEARANCE.
 2.) APPROXIMATE COMPARTMENT DEPTH=20 1/2"DEEP.
 3.) MODULE DIMENSIONS=148"L x 96"W x 93"H
 4.) INTERIOR MODULE HEAD ROOM=72"H.
 5.) ALL 9x7 LIGHTS TO BE WHEELS M9 SERIES LIGHTS. CHROME FLANGES.
 6.) DOUBLE STAINLESS THRESHOLDS.
 7.) DRY-DECK IN ALL COMPARTMENTS.
 8.) SMOOTH ALUMINUM KICKPLATES.

3			
2	REVISION DRAFT	06-15-23	SAH
1	BID DRAFT	06-14-23	SAH
Rev #	Revision Description	Date	Rev'd App'vd

Stock/Job#:	Osage Dealer:	End Customer:	NOTICE
	TEN-8 FIRE	CLEARWATER	This drawing and/or the information hereon is the exclusive property of Osage Industries and shall not be reproduced, used or disclosed without the authorized written consent of Osage Industries.
Drawing#:	Drawn By:	Date:	
CLEARWATER-100A	S.A.H.	06-14-23	Scale: NOT TO SCALE
Cust. App'v/Date#	Drawing Description:	Dealer App'v/Date:	Revision#
	EXTERIOR LAYOUT, FRONT/REAR TYPE-1 WARRIOR, EXTENDED CAB		1

Osage Industries, Inc.
 TWIN RIDGE ROAD
 P.O. BOX 718
 LINN, MO. 65051



NOTES: THIS DRAWING IS NOT TO SCALE
CHARACTERISTICS AND DIMENSIONS OF FINISHED PRODUCT MAY VARY.

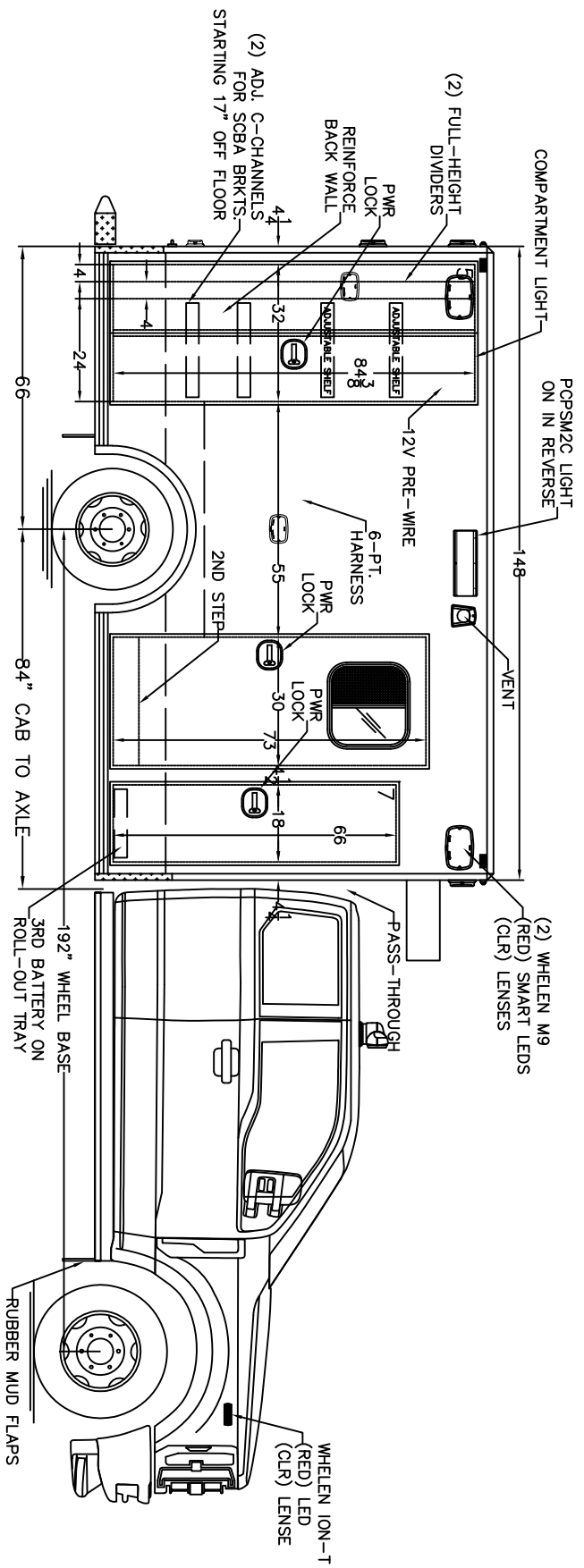
NOTES:
1.) COMPARTMENT DIMENSIONS REFLECT OPENING CLEARANCE.
2.) APPROXIMATE COMPARTMENT DEPTH=20 1/2"DEEP.
3.) MODULE DIMENSIONS=148"L x 96"W x 93"H
4.) INTERIOR MODULE HEAD ROOM=72"H.
5.) ALL 9x7 LIGHTS TO BE WHELEN M9 SERIES LIGHTS. CHROME FLANGES.
6.) DOUBLE STAINLESS THRESHOLDS.
7.) DRY-DECK IN ALL COMPARTMENTS.
8.) SMOOTH ALUMINUM KICKPLATES.

3			
2	REVISION DRAFT	06-15-23	SAH
1	BID DRAFT	06-14-23	SAH
Rev #	Revision Description	Date	Rev'd App'vd

Stock/Job#:	Drawing#:	Cust. App'v/Date#	Deal'r App'v/Date:
Osage Dealer:	CLEARWATER-100B		
End Customer:	TEN-8 FIRE CLEARWATER		
NOTICE			
This drawing and/or the information hereon is the exclusive property of Osage Industries and shall not be reproduced, used or disclosed without the authorized written consent of Osage Industries.			
Drawn By:	S.A.H.	Date:	06-14-23
Drawing Description:	EXTERIOR LAYOUT, STREETSIDE TYPE-1 WARRIOR, EXTENDED CAB		
Scale:	NOT TO SCALE		
Revision#	1		

Osage Industries, Inc.

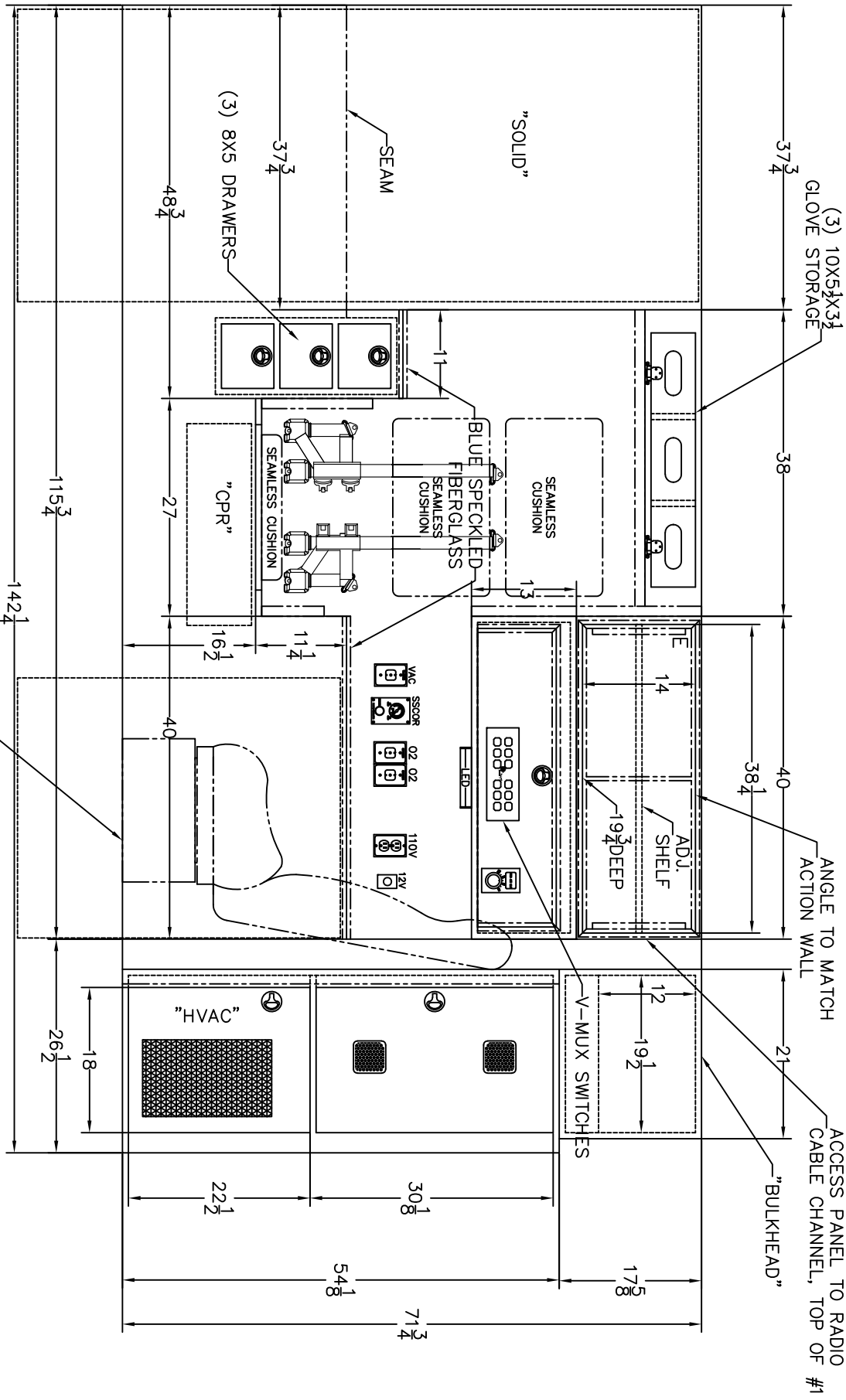
TWIN RIDGE ROAD
P.O. BOX 718
LINN, MO. 65051



- NOTES: THIS DRAWING IS NOT TO SCALE
CHARACTERISTICS AND DIMENSIONS OF FINISHED PRODUCT MAY VARY.
- NOTES:
- 1.) COMPARTMENT DIMENSIONS REFLECT OPENING CLEARANCE.
 - 2.) APPROXIMATE COMPARTMENT DEPTH=20 1/2"DEEP.
 - 3.) MODULE DIMENSIONS=148"L x 96"W x 93"H
 - 4.) INTERIOR MODULE HEAD ROOM=72"H.
 - 5.) ALL 9x7 LIGHTS TO BE WHELEN M9 SERIES LIGHTS. CHROME FLANGES.
 - 6.) DOUBLE STAINLESS THRESHOLDS.
 - 7.) DRY-DECK IN ALL COMPARTMENTS.
 - 8.) SMOOTH ALUMINUM KICKPLATES.

3			
2			
1	BID DRAFT	06-14-23	SAH
Rev #	Revision Description	Date	Rev'd App'vd

Stock/Job#:	Drawing#	Cust. App'v/Date#	Deal'r App'v/Date:
Osage Dealer: TEN-8 FIRE	CLEARWATER-100C		
End Customer: CLEARWATER	TWIN RIDGE ROAD		
NOTICE			
This drawing and/or the information hereon is the exclusive property of Osage Industries and shall not be reproduced, used or disclosed without the authorized written consent of Osage Industries.			
Drawn By: S.A.H.	Date: 06-14-23	Scale: NOT TO SCALE	Revision#
Drawing Description: EXTERIOR LAYOUT, CURBSIDE TYPE-1 WARRIOR, EXTENDED CAB			1
Osage Industries, Inc.			
P.O. BOX 718 LINN, MO. 65051			



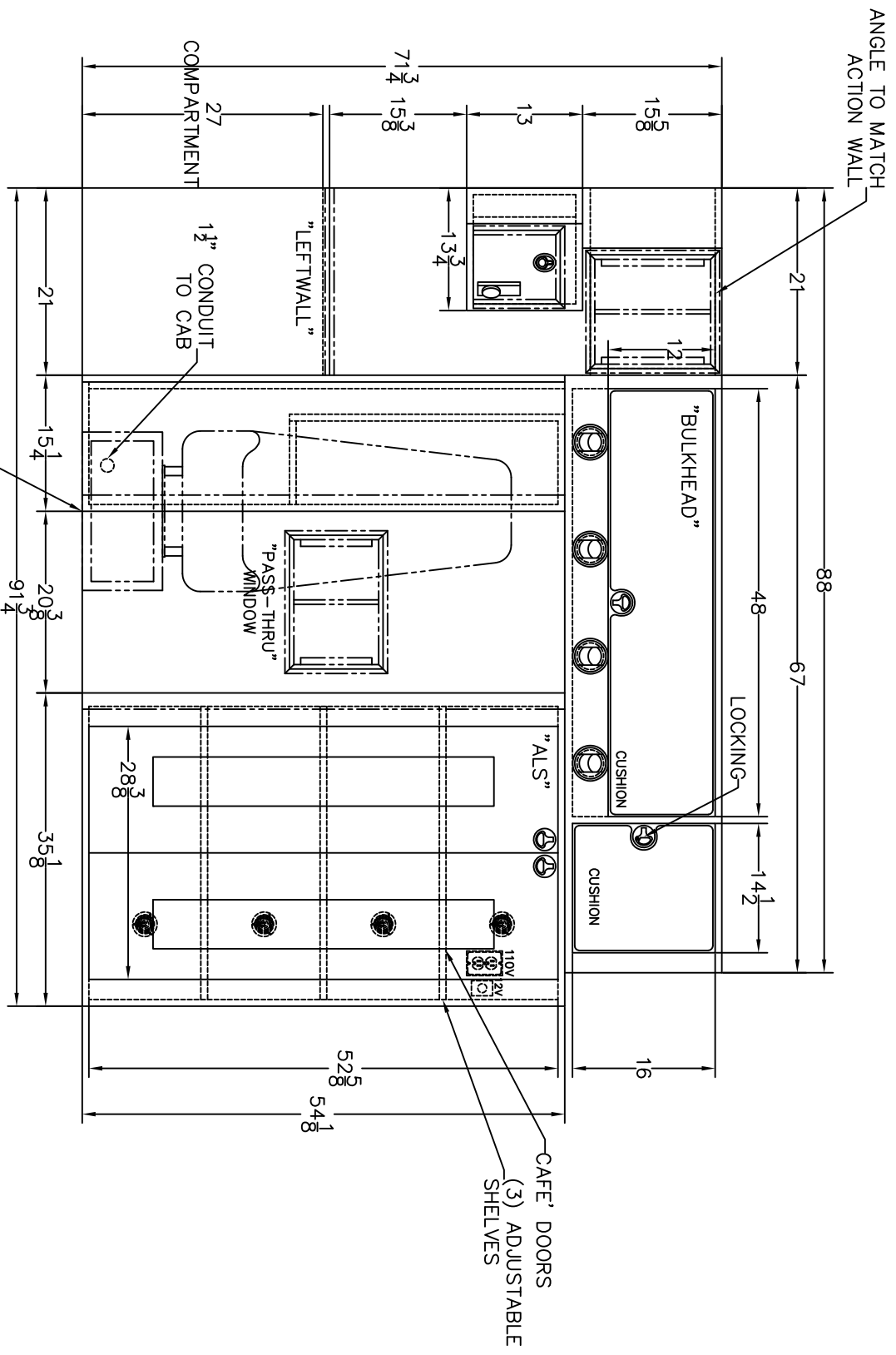
- NOTES:
- 1.) GRAY GLACE.
 - 2.) S.S. SOUTHCOS.

NOTES: THIS DRAWING IS NOT TO SCALE. CHARACTERISTICS AND DIMENSIONS OF FINISHED PRODUCT MAY VARY.

NOTES: CABINET DEPTHS REPRESENT DIMENSION FROM INSIDE REAR TO FRONT FACE OF CABINETS, WITHOUT TRIM. ACTUAL WORKING DEPTH WILL BE LESS THAN DIMENSION SHOWN UNLESS OTHERWISE SPECIFIED.

3			
2			
1	BID DRAFT	06-14-23	SAH
Rev. #	Revision Description	Date	Rev'd App'vd

Stock/Job#:	Osage Dealer:	End Customer:	Stock/Job#:	Osage Dealer:	End Customer:
	TEN-8 FIRE	CLEARWATER	Drawing#:	CLEARWATER-101	Cust. App'v/Date#
<p>NOTICE</p> <p>This drawing and/or the information hereon is the exclusive property of Osage Industries and shall not be reproduced, used or disclosed without the authorized written consent of Osage Industries.</p>			Drawn By:	S.A.H.	Date:
<p>Osage Industries, Inc.</p> <p>TWIN RIDGE ROAD P.O. BOX 718 LINN, MO. 65051</p>			Drawing Description:	STREETSIDE INTERIOR TYPE-1 WARRIOR, EXTENDED CAB	
			Scale:	NOT TO SCALE	
			Revision #	1	

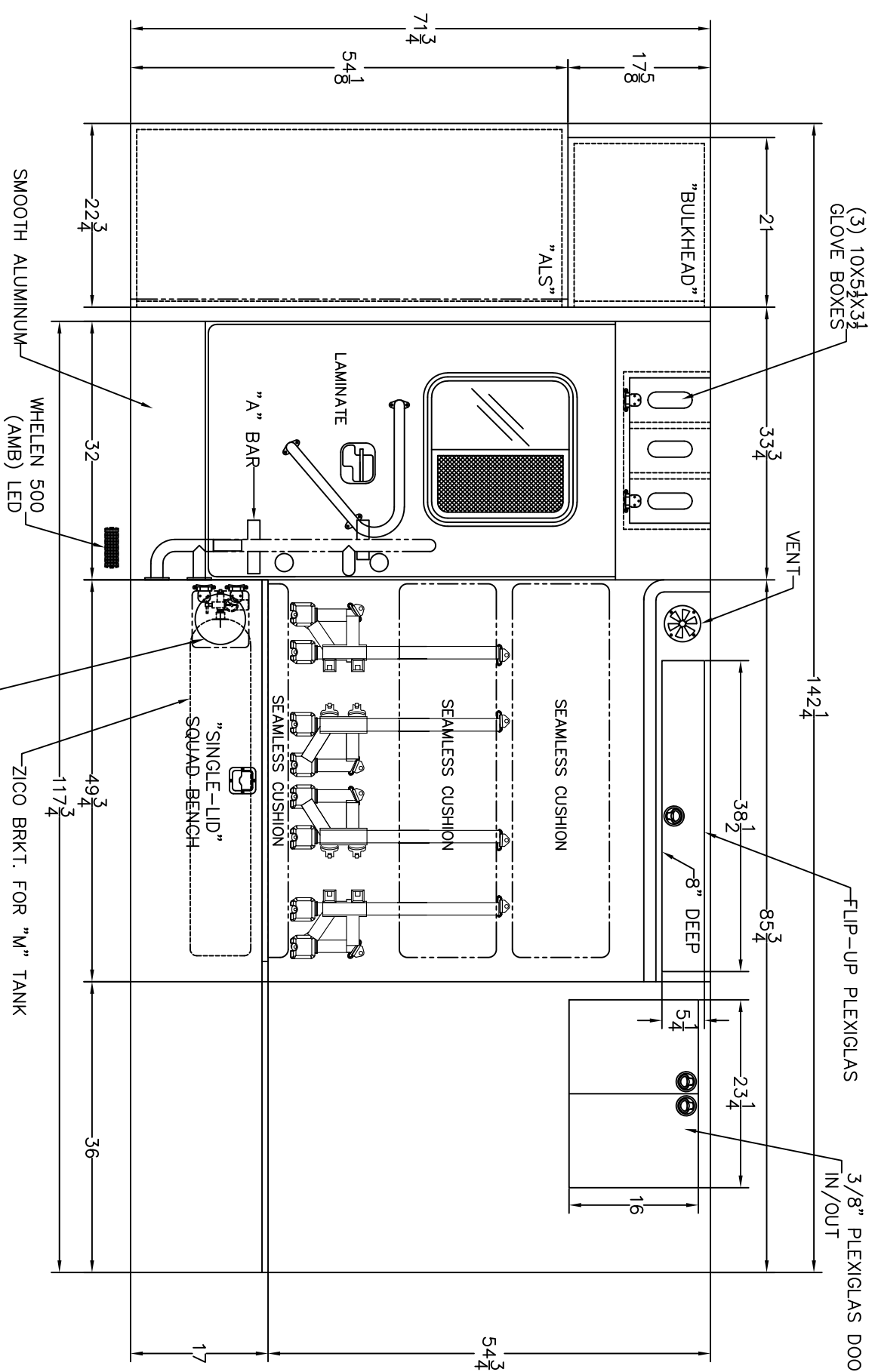


E.V.S. 3-PT. ATTENDANT SEAT

NOTES: THIS DRAWING IS NOT TO SCALE.
 CHARACTERISTICS AND DIMENSIONS OF FINISHED PRODUCT MAY VARY.
 NOTES: CABINET DEPTHS REPRESENT DIMENSION FROM INSIDE REAR TO FRONT FACE OF CABINETS, WITHOUT TRIM. ACTUAL WORKING DEPTH WILL BE LESS THAN DIMENSION SHOWN UNLESS OTHERWISE SPECIFIED.

3			
2			
1	BID DRAFT	06-14-23	SAH
Rev. #	Revision Description	Date	Rev'd App'vd

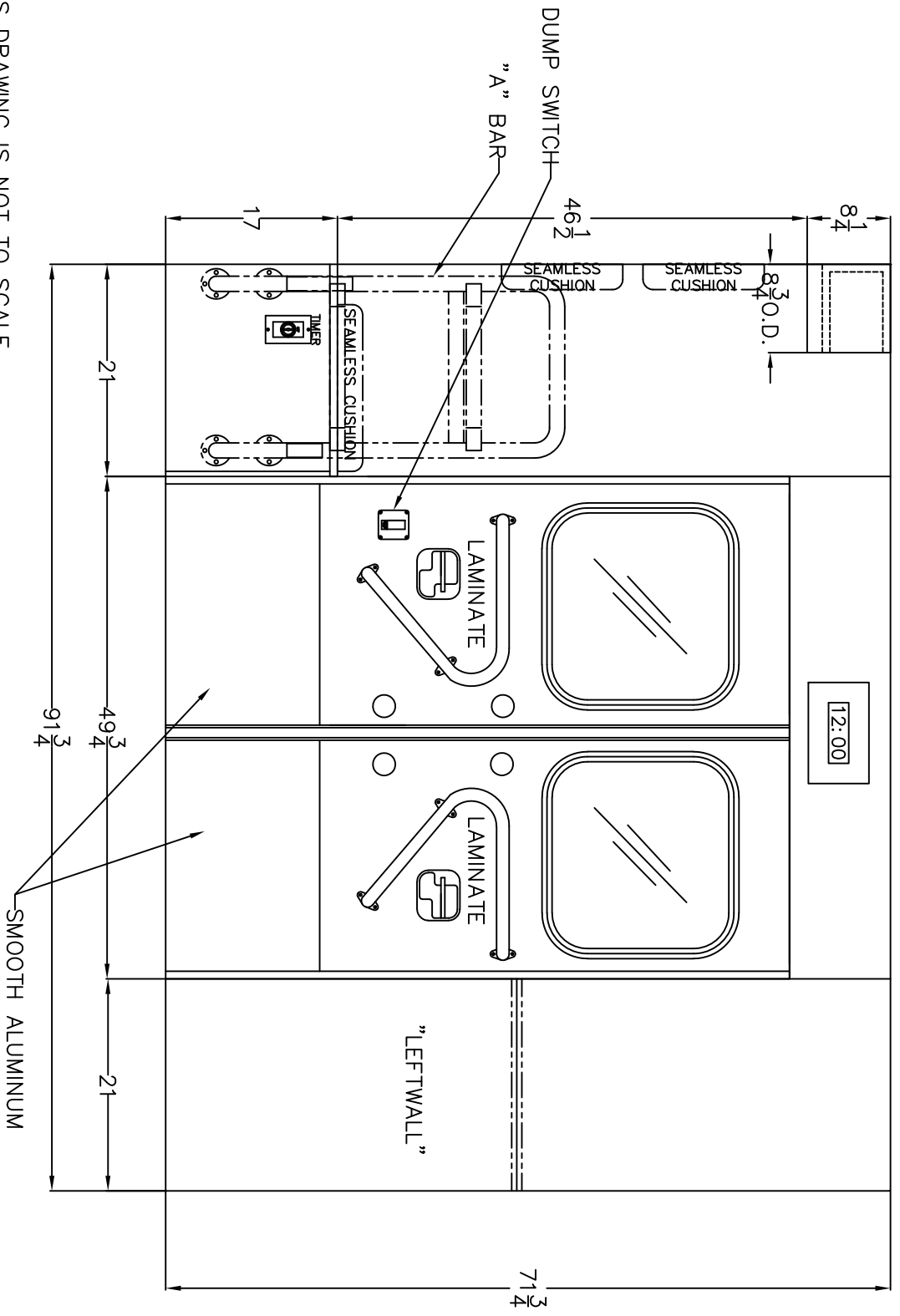
Stock / Job #:	Osage Dealer:	End Customer:	NOTICE
Drawing #:	TEN-8 FIRE CLEARWATER	TWIN RIDGE ROAD	This drawing and/or the information hereon is the exclusive property of Osage Industries and shall not be reproduced, used or disclosed without the authorized written consent of Osage Industries.
Cust. App'v/Date #:	Osage Industries, Inc.	P.O. BOX 718	
Drawing Description:	FORWARD INTERIOR TYPE-1 WARRIOR, EXTENDED CAB	DATE: 06-14-23	Scale: NOT TO SCALE
Revision #	1		



NOTES: THIS DRAWING IS NOT TO SCALE.
 CHARACTERISTICS AND DIMENSIONS OF FINISHED PRODUCT MAY VARY.
 NOTES: CABINET DEPTHS REPRESENT DIMENSION FROM INSIDE REAR TO FRONT FACE OF CABINETS, WITHOUT TRIM. ACTUAL WORKING DEPTH WILL BE LESS THAN DIMENSION SHOWN UNLESS OTHERWISE SPECIFIED.

3			
2			
1	BID DRAFT	06-14-23	SAH
Rev.#	Revision Description	Date	Rev'd App'vd

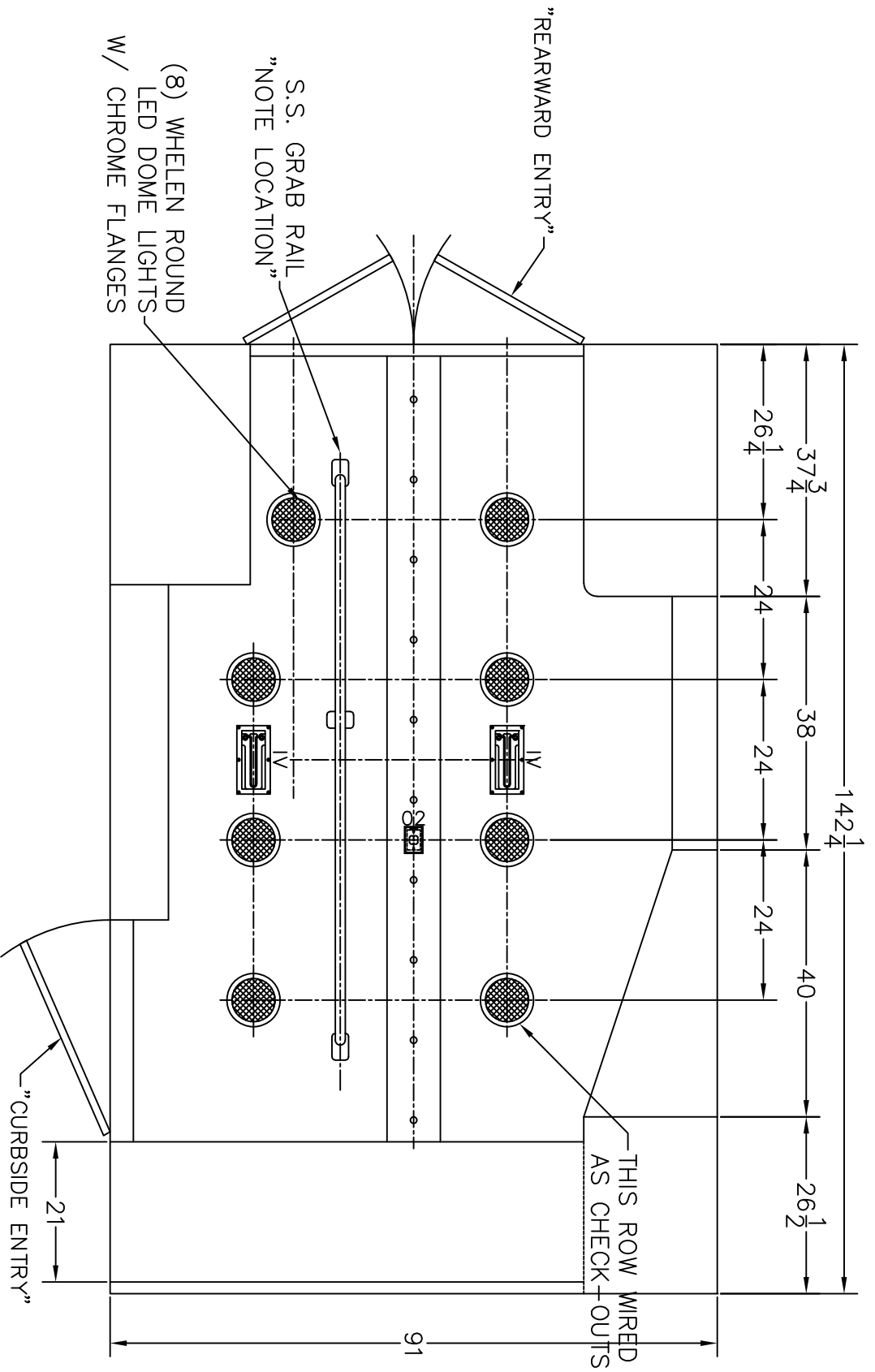
Stock/Job#:	Osage Dealer:	End Customer:	NOTICE
	TEN-8 FIRE	CLEARWATER	This drawing and/or the information hereon is the exclusive property of Osage Industries and shall not be reproduced, used or disclosed without the authorized written consent of Osage Industries.
Drawing#:	CLEARWATER-103	TWIN RIDGE ROAD	
Cust. App'v/Date#:	Osage Industries, Inc.	P.O. BOX 718	Drawing Description:
Dealer App'v/Date:	Clearwater	LINN, MO. 65051	
Drawn By:	S.A.H.	Date:	CURBSIDE INTERIOR
Scale:	06-14-23	NOT TO SCALE	TYPE-I WARRIOR, EXTENDED CAB
Revision#			1



NOTES: THIS DRAWING IS NOT TO SCALE.
 CHARACTERISTICS AND DIMENSIONS OF FINISHED PRODUCT MAY VARY.
 NOTES: CABINET DEPTHS REPRESENT DIMENSION FROM INSIDE REAR TO FRONT FACE OF CABINETS, WITHOUT TRIM. ACTUAL WORKING DEPTH WILL BE LESS THAN DIMENSION SHOWN UNLESS OTHERWISE SPECIFIED.

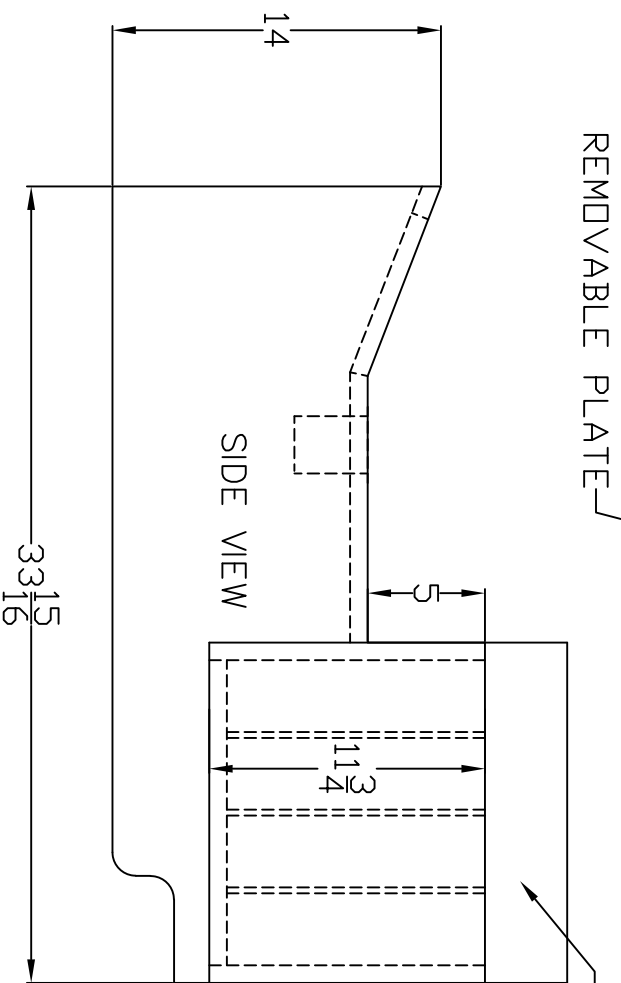
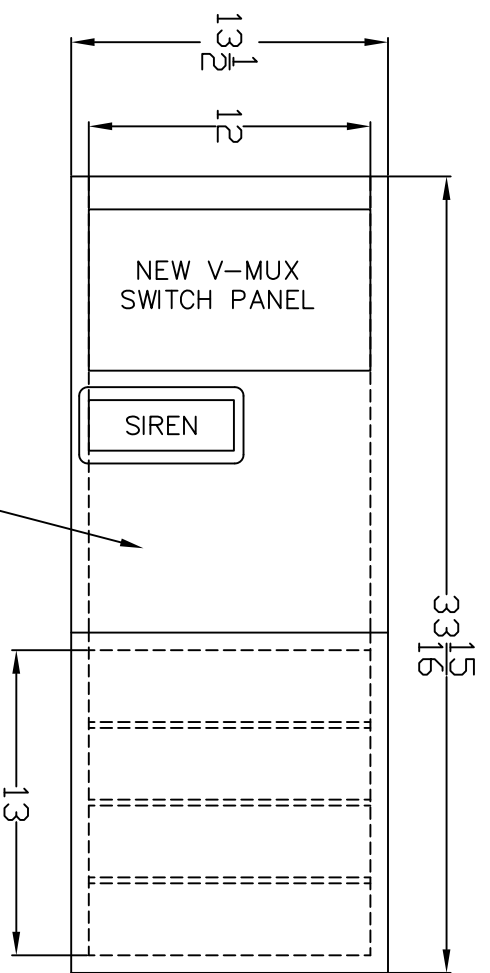
3			
2			
1	BID DRAFT	06-14-23	SAH
Rev. #	Revision Description	Date	Rev'd App'vd

Stock/Job#:	Osage Dealer:	End Customer:	NOTICE
Drawing#:	TEN-8 FIRE CLEARWATER	CLEARWATER	This drawing and/or the information hereon is the exclusive property of Osage Industries and shall not be reproduced, used or disclosed without the authorized written consent of Osage Industries.
Cust. App'v/Date#:	TWIN RIDGE ROAD		
Deal'r App'v/Date:	Osage Industries, Inc.	P.O. BOX 718	Drawing Description:
Scale:	LINN, MO. 65051		
Drawn By:	S.A.H.	Date:	REARWARD INTERIOR TYPE-1 WARRIOR
Revision#:		06-14-23	NOT TO SCALE



NOTES: THIS DRAWING IS NOT TO SCALE.
 CHARACTERISTICS AND DIMENSIONS OF FINISHED
 PRODUCT MAY VARY.

3									
2									
1	BID DRAFT	06-14-23	SAH						
Rev. #	Revision Description	Date	Rev'd	App'vd					
Stock/Job #: _____ Osage Dealer: TEN-8 FIRE End Customer: CLEARWATER					Drawing# CLEARWATER-105 Cust. App'v/Date# _____ Dealer App'v/Date: _____ Osage Industries, Inc. TWIN RIDGE ROAD P.O. BOX 718 LINN, MO. 65051				
NOTICE This drawing and/or the information hereon is the exclusive property of Osage Industries and shall not be reproduced, used or disclosed without the authorized written consent of Osage Industries.					Drawing Description: CEILING LAYOUT TYPE-1 WARRIOR, EXTENDED CAB				
Drawn By: S.A.H. Date: 06-14-23 Scale: NOT TO SCALE					Revision# 1				



NOTES: THIS DRAWING IS NOT TO SCALE.
 CHARACTERISTICS AND DIMENSIONS OF
 FINISHED PRODUCT MAY VARY.

3			
2			
1	BID DRAFT	06-14-23	SAH
Rev.#	Revision Description	Date	Rev'd App'vd

Stock/Job#:	Drawing#:	Cust. App'v/Date#	Deal'r App'v/Date:
Osage Dealer: TEN-8 FIRE	CLEARWATER-107		
End Customer: CLEARWATER	TWIN RIDGE ROAD		
Osage Industries, Inc.			
P.O. BOX 718			
LINN, MO. 65051			
Drawing Description:		Date:	Scale:
OSAGE RADIO CONSOLE		06-14-23	NOT TO SCALE
TYPE 1, PASS-THROUGH			
NOTICE			Revision#
This drawing and/or the information hereon is the exclusive property of Osage Industries and shall not be reproduced, used or disclosed without the authorized written consent of Osage Industries.			1