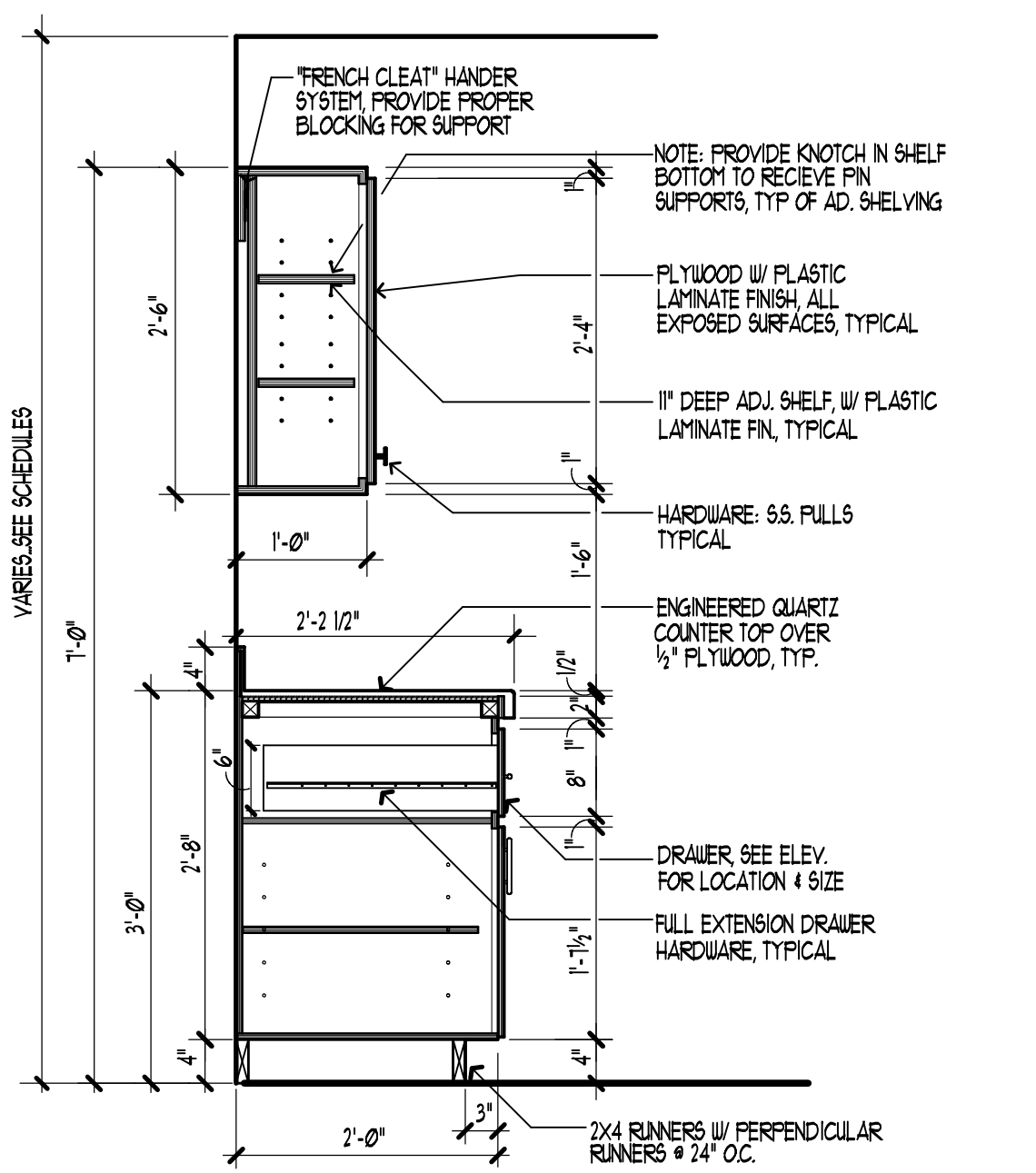
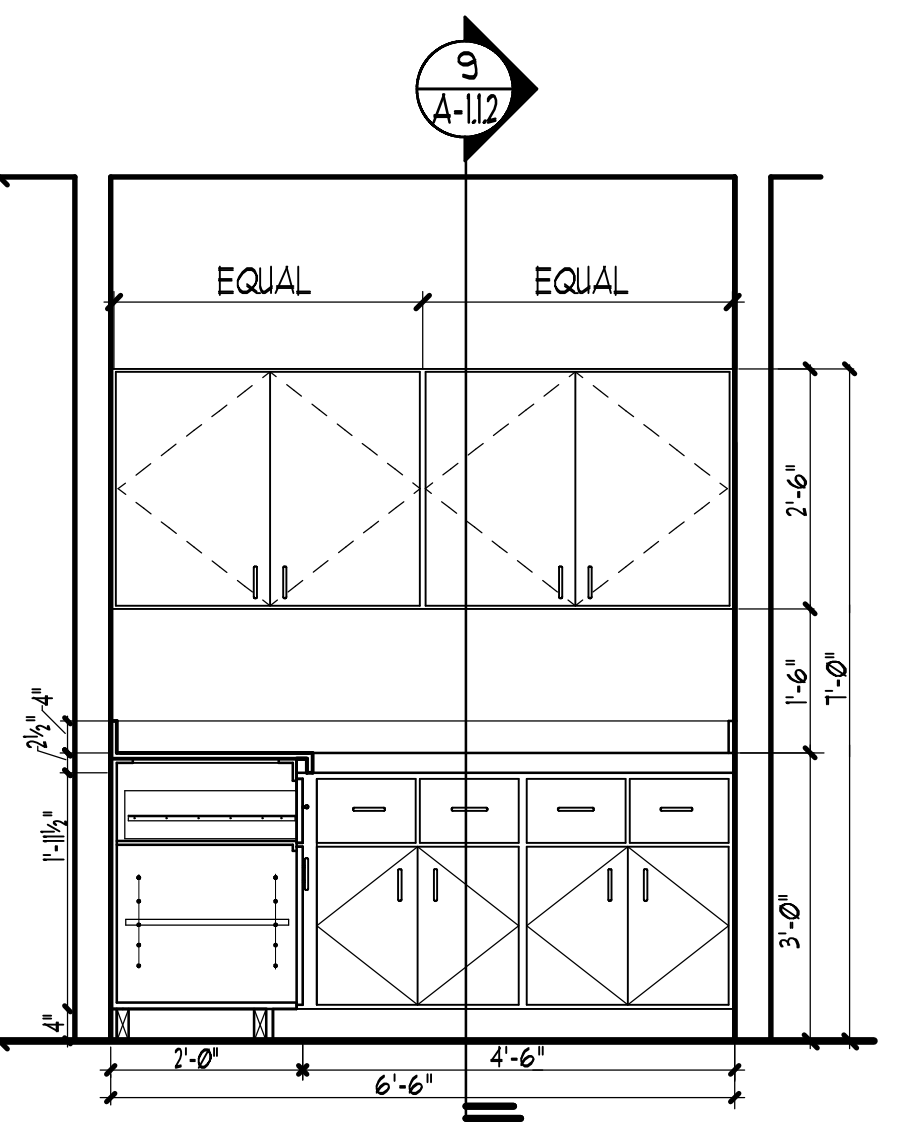
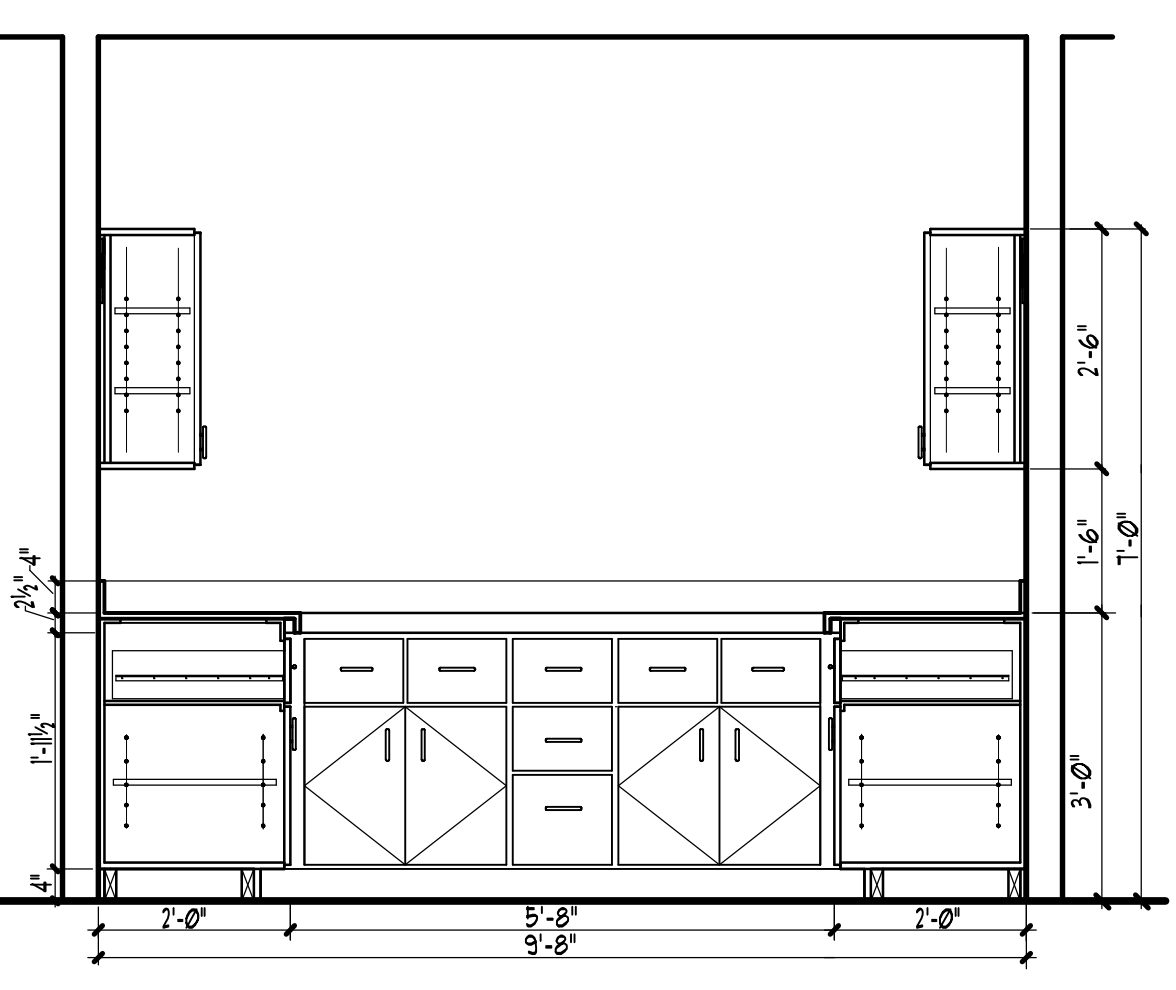
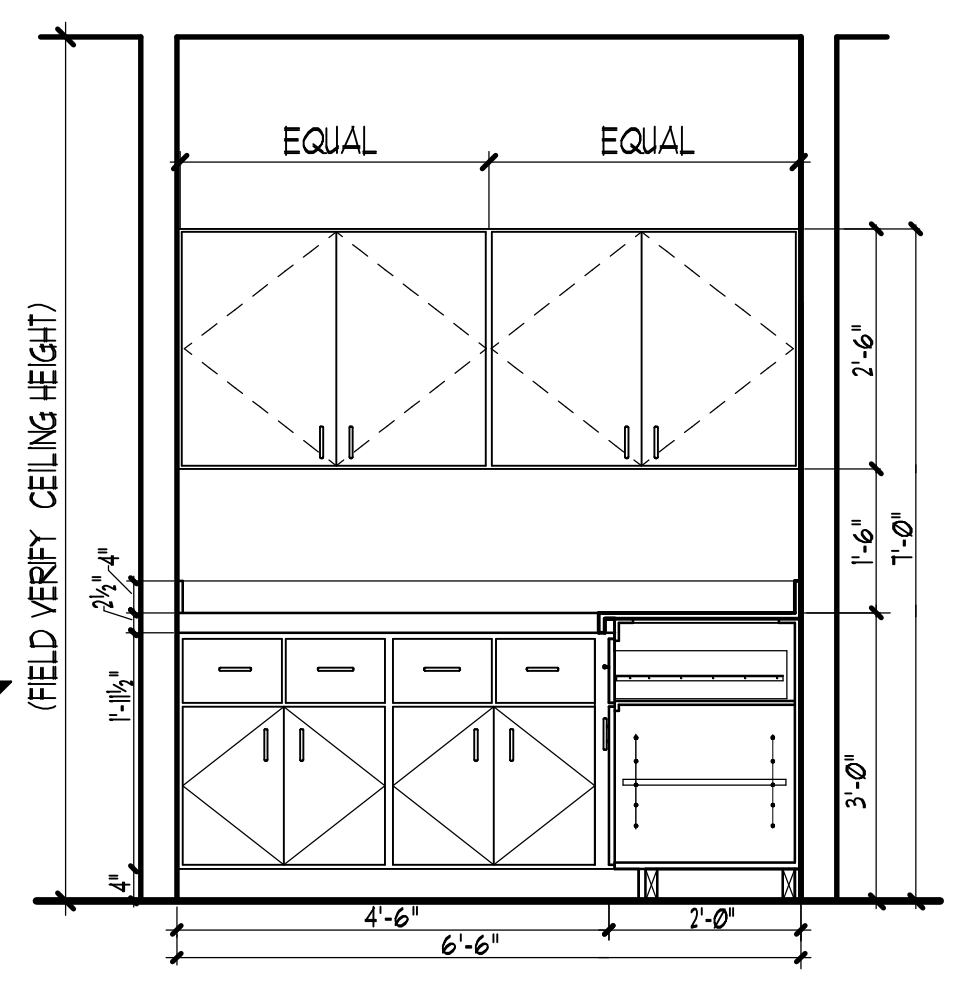
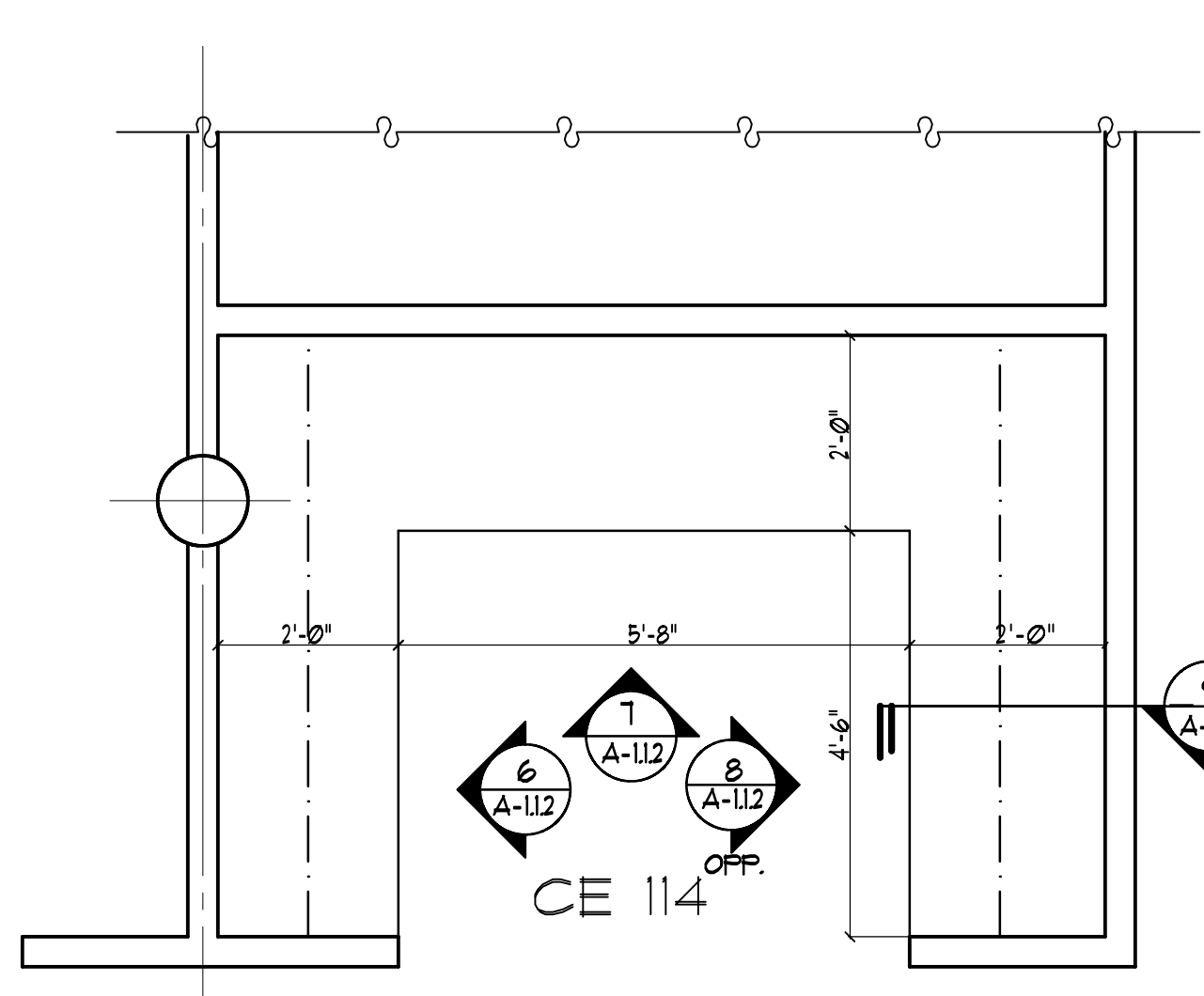
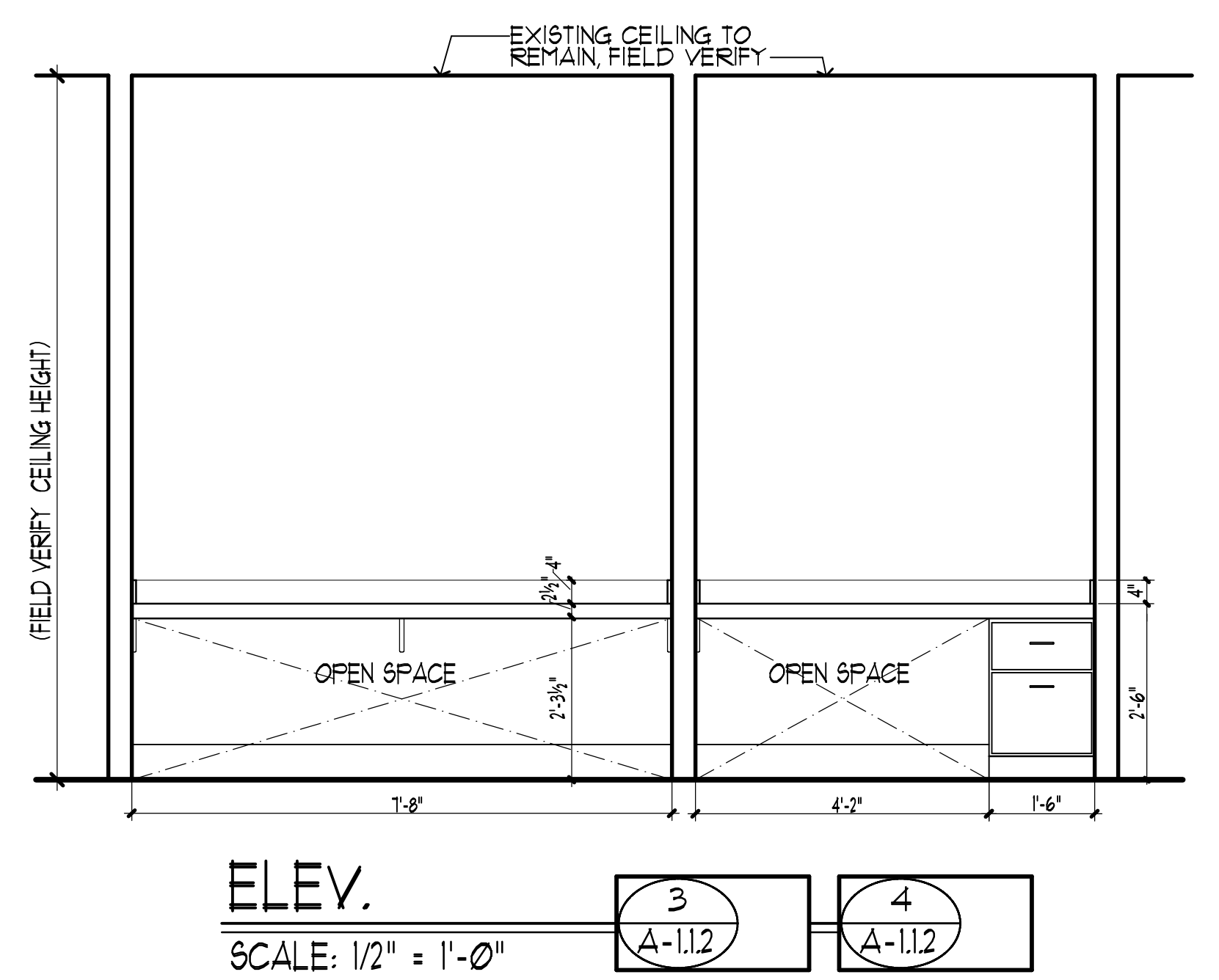
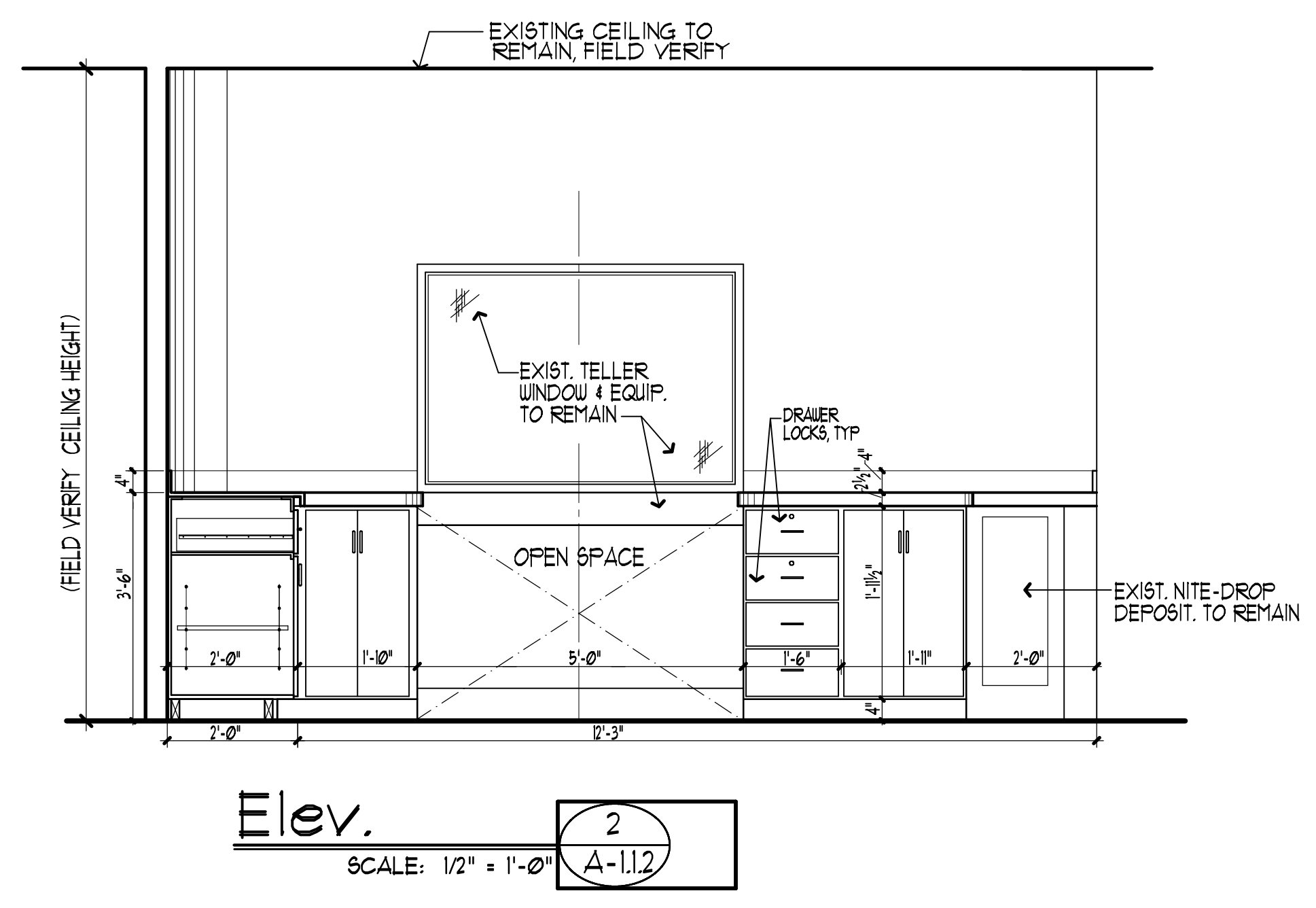
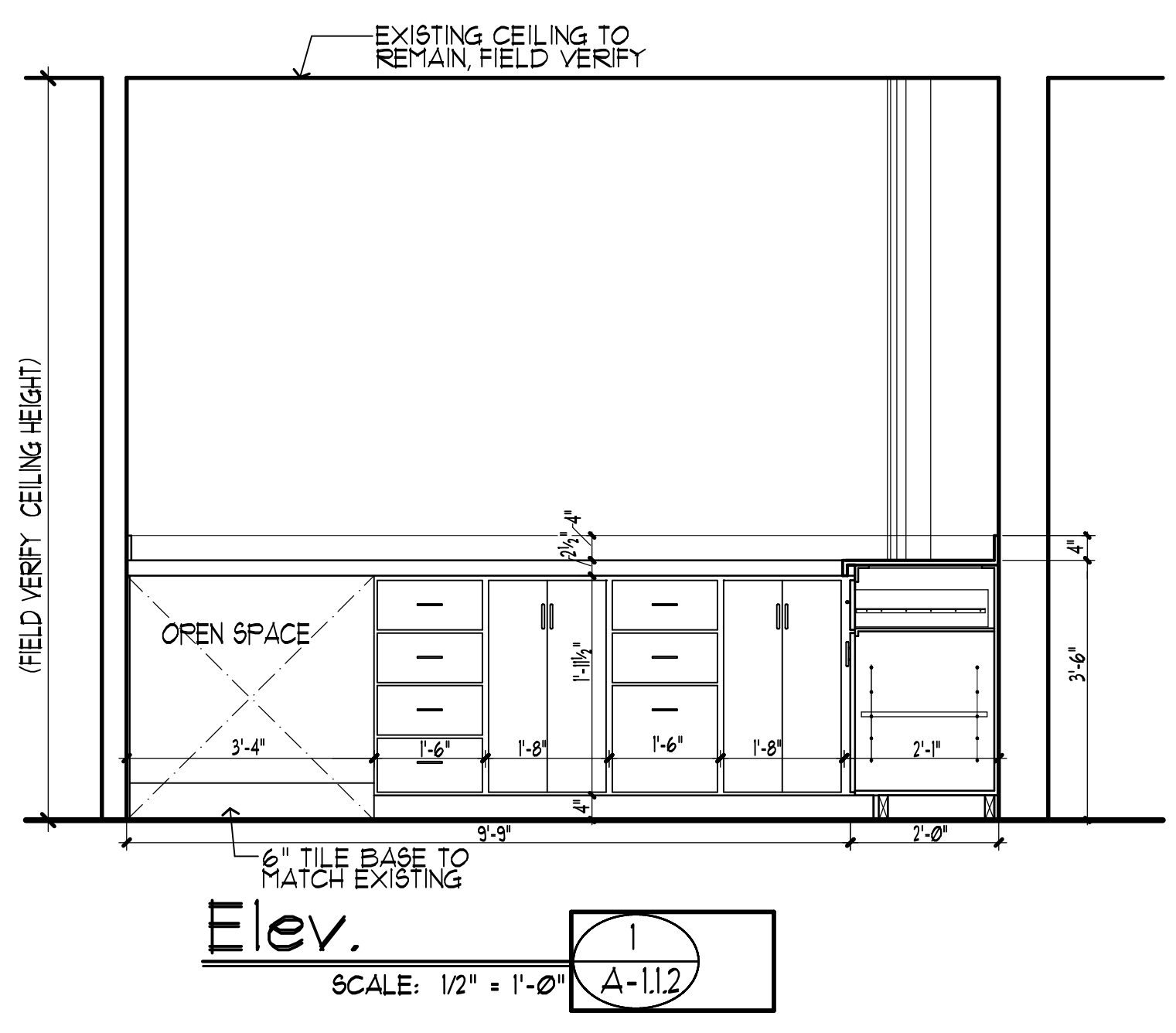


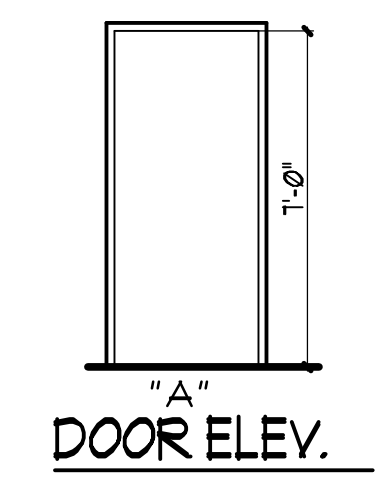
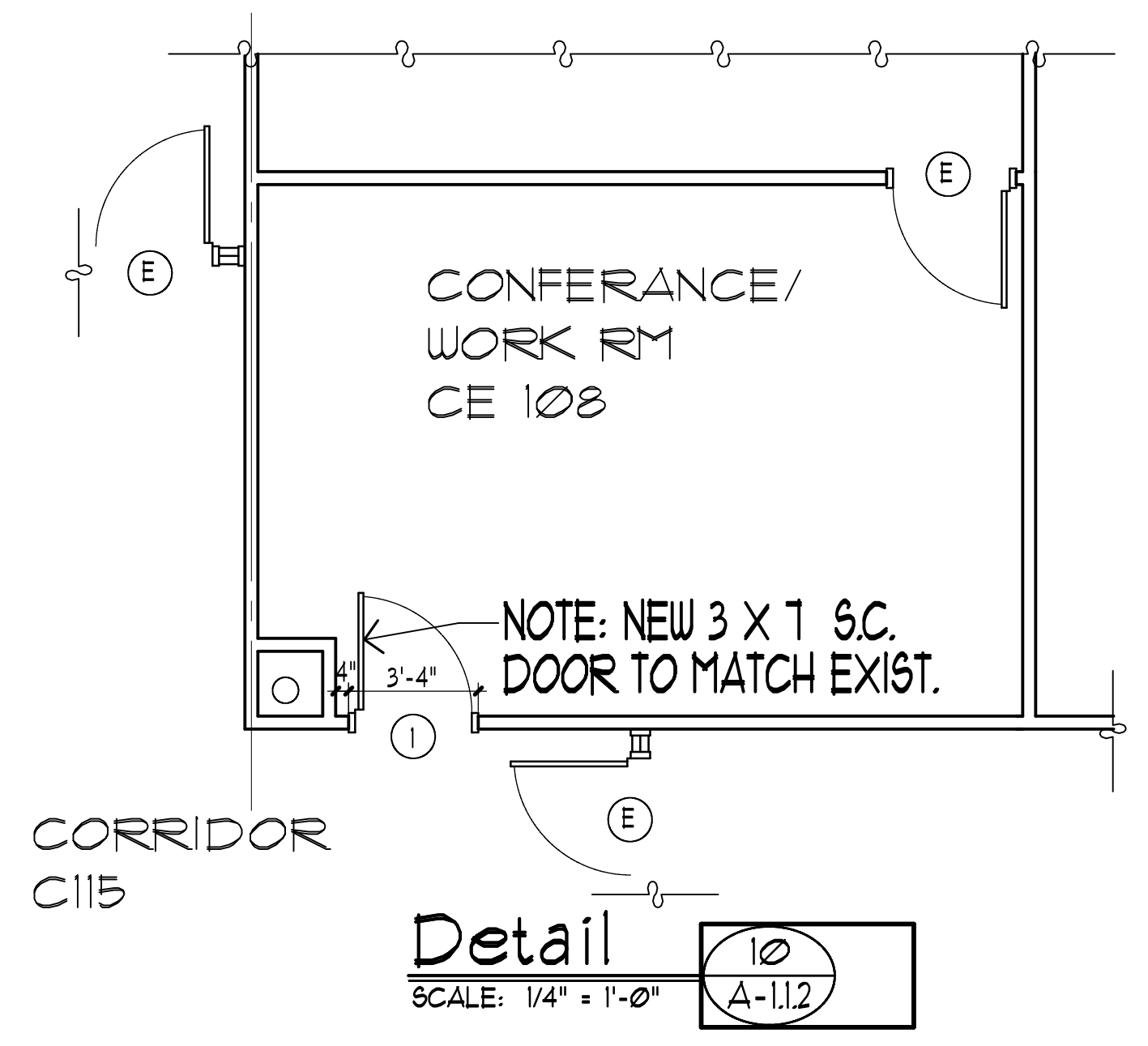
BY	
REVISION	
NO.	
DATE	
DRAWN	SRF
DATE	

Floor Plan & Details
 Lobby & Customer Service Remodeling
 Ground Floor MGB
 100 S. Murtle Ave
 Clearwater, Florida 33756

PROJECT NO. 16-218
 SHEET NO. A-1.1.2



NOTE: NO PARTICLE BOARD ALLOWED IN MILL WORK



DOOR SCHEDULE

NO.	TYPE	W	H	SIZE	MATERIAL	FINISH DOOR	FINISH FRAME	LOCATION	HARDWARE	REMARKS
E	EXISTING DOORS AND WINDOWS TO REMAIN									
1	A	3'-4"	7'-0"	1 3/4"	SOLID CORE WOOD COMMERCIAL GRADE	STAIN (MATCH EXIST)	H.M. PAINT	CONFERENCE/ WORK RM	1 1/2" PAIR 4" BUTTS TOUCH KEY LOCKSET PROVIDE CLOSURE W/ H.O. FEATURE	HARDWARE FINISH TO MATCH EXISTING PROVIDE DOOR 1 HR. RATED PER ILL. DESIGN
2										

PRELIMINARY 11 Nov. '16