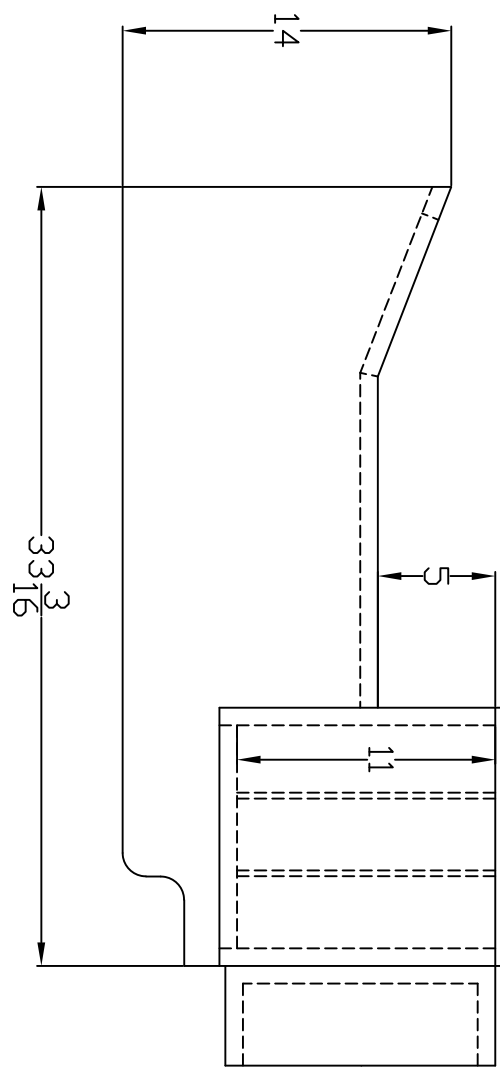
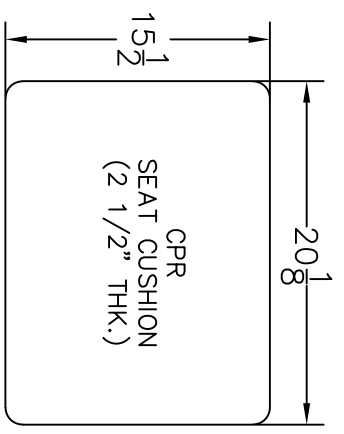
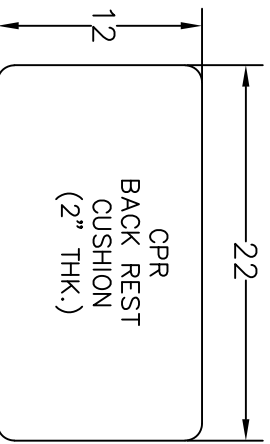
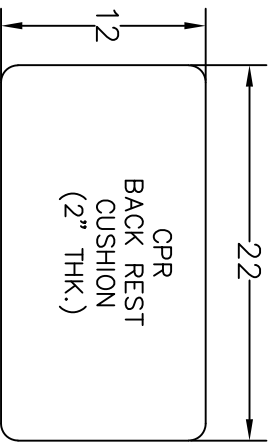


NOTES: 295 HFS2 REMOTE HEAD.



NOTES: THIS DRAWING IS NOT TO SCALE. CHARACTERISTICS AND DIMENSIONS OF FINISHED PRODUCT MAY VARY.

3									
2									
1	PRODUCTION DRAFT	04-23-26	SAH						
Rev.#	Revision Description	Date	Rev'd App'vd						
Stock/Job#: J3865 Osage Dealer: TEN-8 FIRE End Customer: CLEARWATER				Drawing# J3865-107 Cust. App'v/Date# Dealer App'v/Date:					
NOTICE This drawing and/or the information hereon is the exclusive property of Osage Ambulances and shall not be reproduced, used or disclosed without the authorized written consent of Osage Ambulances.				Drawn By: S.A.H. Date: 04-23-26 Scale: NOT TO SCALE Drawing Description: OSAGE RADIO CONSOLE TYPE 1, PASS-THROUGH					
				Revision# 1					

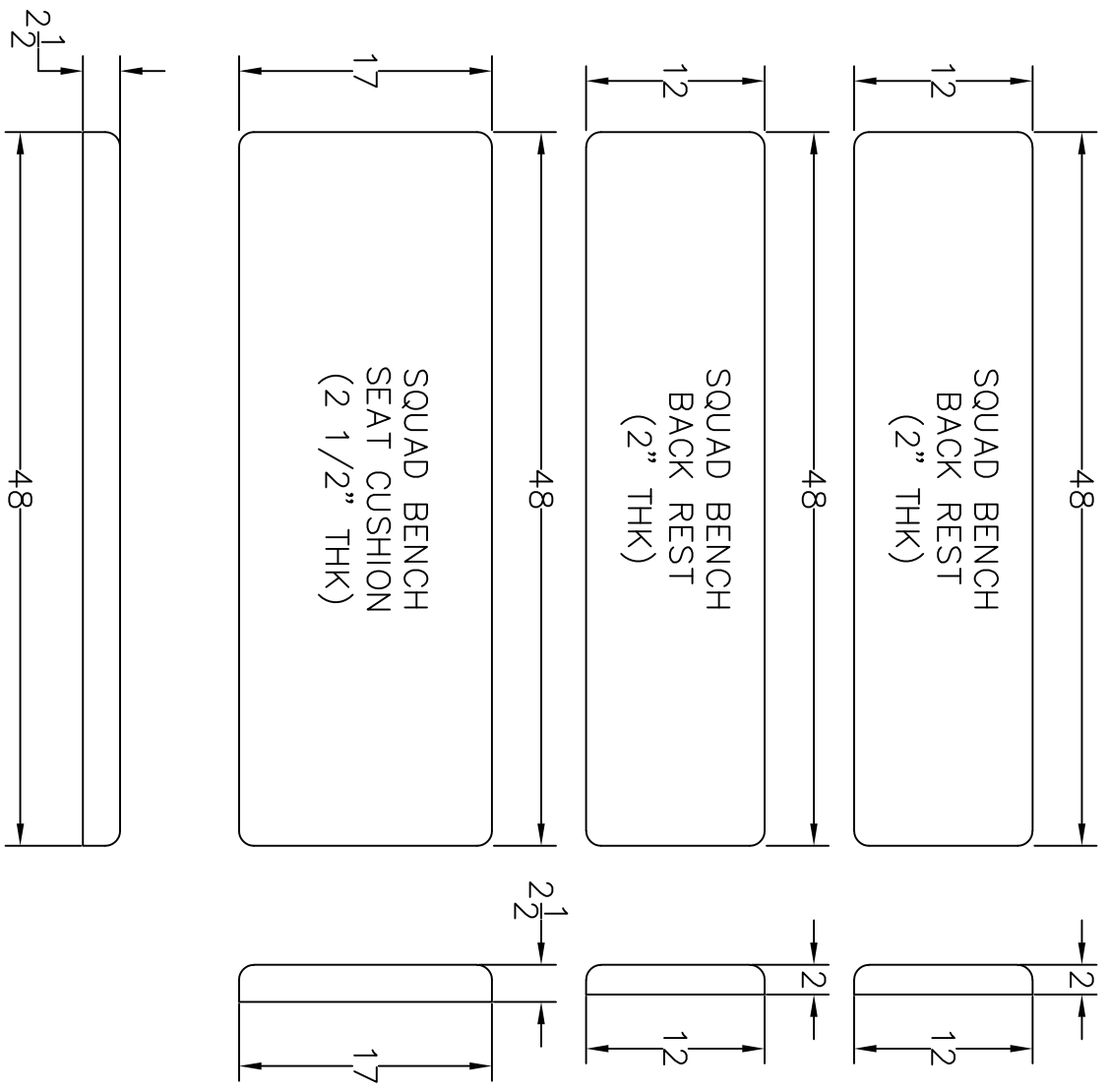


NOTES: MV-101 ASH.

NOTES: THIS DRAWING IS NOT TO SCALE.
 CHARACTERISTICS AND DIMENSIONS OF FINISHED
 PRODUCT MAY VARY.

3			
2			
1	PRODUCTION DRAFT	04-23-26	SAH
Rev.#	Revision Description	Date	Rev'd App'vd

Stock/Job #	J3865	Drawing#	J3865-108	Cust. App'v/Date#		Deal'r App'v/Date:	
Osage Dealer:	TEN-8 FIRE	Drawn By:	S.A.H.	Date:	04-23-26	Scale/Tolerance	1/8" ±.1"
End Customer:	CLEARWATER	Drawing Description:	<p style="text-align: center;">Osage Ambulances</p> SEAMLESS CUSHIONS, CPR SEAT WARRIOR				
<p>NOTICE</p> This drawing and/or the information hereon is the exclusive property of Osage Ambulances and shall not be reproduced, used or disclosed without the authorized written consent of Osage Ambulances.							
Revision #	1						



NOTES: MV-101 ASH.

NOTES: THIS DRAWING IS NOT TO SCALE.
 CHARACTERISTICS AND DIMENSIONS OF FINISHED
 PRODUCT MAY VARY.

3			
2			
1	PRODUCTION DRAFT	04-23-26	SAH
Rev.#	Revision Description	Date	Rev'd App'vd

Stock/Job#:	J3865	Drawing#:	J3865-109	Cust. App'v/Date#:		Deal'r App'v/Date:	
Osage Dealer:	TEN-8 FIRE	Drawing Description: E.V.S. SEAMLESS CUSHIONS FOR SQUAD BENCH, WARRIOR					
End Customer:	CLEARWATER	Scale: NOT TO SCALE					
NOTICE		Revision#					
This drawing and/or the information hereon is the exclusive property of Osage Ambulances and shall not be reproduced, used or disclosed without the authorized written consent of Osage Ambulances.		1					