

NOTES: THIS DRAWING IS NOT TO SCALE. CHARACTERISTICS AND DIMENSIONS OF FINISHED PRODUCT MAY VARY.

NOTES:

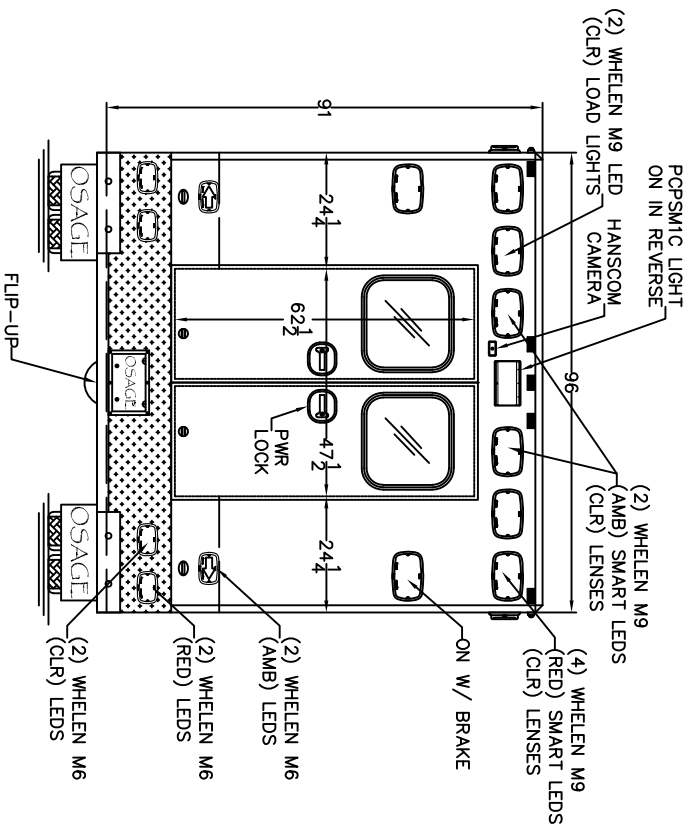
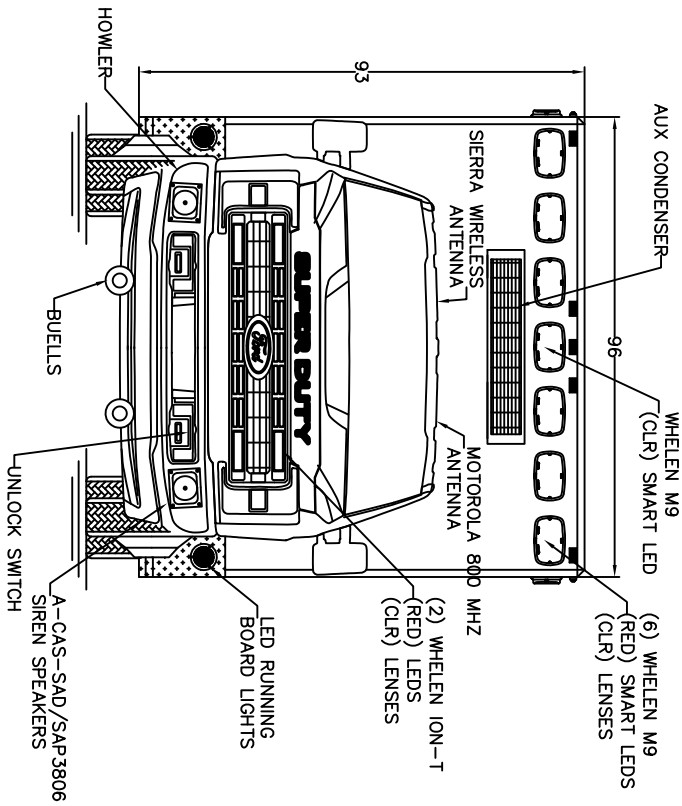
- 1) COMPARTMENT DIMENSIONS REFLECT OPENING CLEARANCE.
- 2) APPROXIMATE COMPARTMENT DEPTH=20 1/2" DEEP.
- 3) MODULE DIMENSIONS=148 L x 96 W x 93 H
- 4) INTERIOR MODULE HEAD ROOM=72"H.
- 5) ALL 9x7 LIGHTS TO BE WHELEN M9 SERIES LIGHTS. CHROME FLANGES.
- 6) DOUBLE STAINLESS THRESHOLDS.
- 7) DRY-DECK IN ALL COMPARTMENTS.
- 8) SMOOTH ALUMINUM KICKPLATES.

| | | | |
|---|----------------|----------|-----|
| 3 | | | |
| 2 | REVISION DRAFT | 06-15-23 | SAH |
| 1 | BID DRAFT | 06-14-23 | SAH |

| | | | |
|------------|----------------------|------|--------------|
| Revision # | Revision Description | Date | Rev'd App'vd |
| 1 | | | |

| | | | |
|------------------------------|----------------|------------------------------|--------------|
| Stock/Job#: | Osage Dealer: | End Customer: | NOTICE |
| | TEN-8 FIRE | CLEARWATER | |
| Drawing#: | CLEARWATER-100 | Drawn By: | S.A.H. |
| Cust. App'v/Date# | | Date: | 06-14-23 |
| Dea'r App'v/Date: | | Scale: | NOT TO SCALE |
| Osage Industries, Inc. | | Drawing Description: | |
| P.O. BOX 718 LINN, MO. 65051 | | EXTERIOR LAYOUT | |
| | | TYPE-1 WARRIOR, EXTENDED CAB | |
| | | | Revision # |
| | | | 1 |

THIS DRAWING AND/OR THE INFORMATION HEREON IS THE EXCLUSIVE PROPERTY OF OSAGE INDUSTRIES AND SHALL NOT BE REPRODUCED, USED OR DISCLOSED WITHOUT THE AUTHORIZED WRITTEN CONSENT OF OSAGE INDUSTRIES.

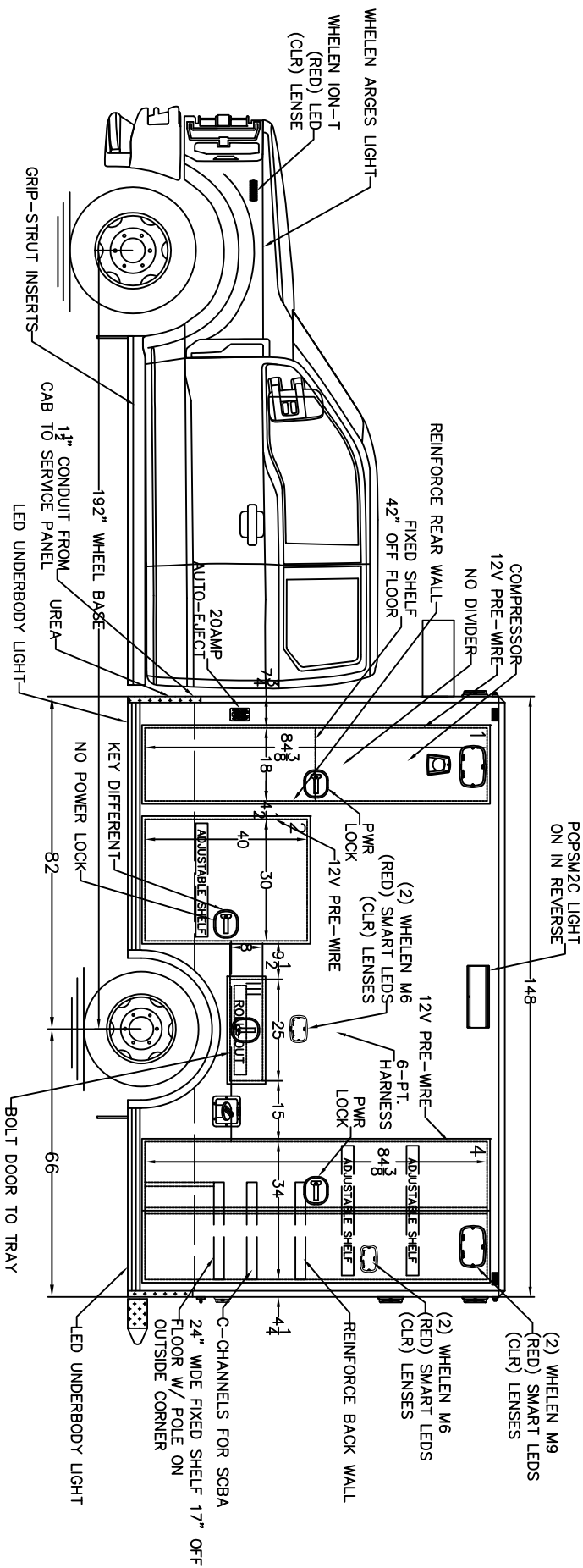


NOTES: THIS DRAWING IS NOT TO SCALE
CHARACTERISTICS AND DIMENSIONS OF FINISHED PRODUCT MAY VARY.

- NOTES:
- 1.) COMPARTMENT DIMENSIONS REFLECT OPENING CLEARANCE.
 - 2.) APPROXIMATE COMPARTMENT DEPTH=20 1/2" DEEP.
 - 3.) MODULE DIMENSIONS=148"L x 96"W x 93"H
 - 4.) INTERIOR MODULE HEAD ROOM=72"H.
 - 5.) ALL 9x7 LIGHTS TO BE WHELEEN M9 SERIES LIGHTS. CHROME FLANGES.
 - 6.) DOUBLE STAINLESS THRESHOLDS.
 - 7.) DRY-DECK IN ALL COMPARTMENTS.
 - 8.) SMOOTH ALUMINUM KICKPLATES.

| | | | |
|-------|----------------------|----------|--------------|
| 3 | | | |
| 2 | REVISION DRAFT | 06-15-23 | SAH |
| 1 | BID DRAFT | 06-14-23 | SAH |
| Rev # | Revision Description | Date | Rev'd App'vd |

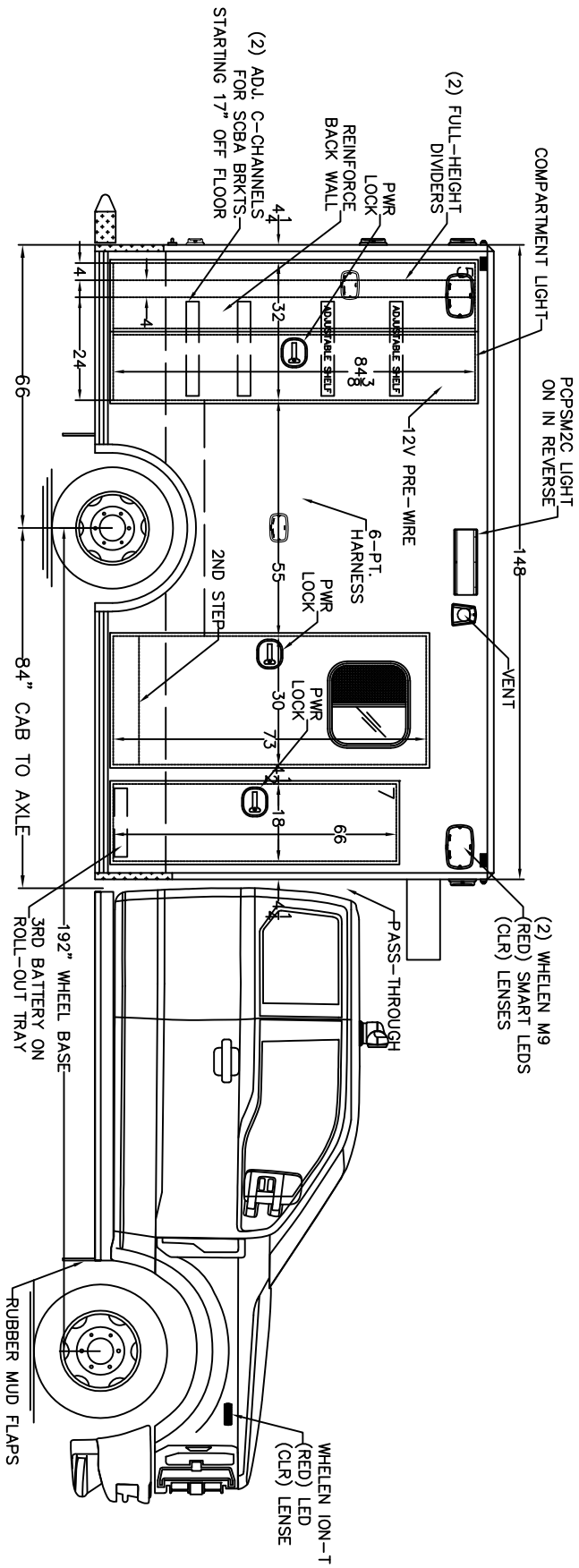
| | | | | | | |
|---|---------------|---------------|--|-----------------|-------------------|-------------------|
| Stock/Job#: | Osage Dealer: | End Customer: | Stock/Job#: | Drawing#: | Cust. App'v/Date# | Dea'r App'v/Date: |
| | TEN-8 FIRE | CLEARWATER | | CLEARWATER-100A | | |
| <p>NOTICE</p> <p>This drawing and/or the information hereon is the exclusive property of Osage Industries and shall not be reproduced, used or disclosed without the authorized written consent of Osage Industries.</p> | | | <p>Osage Industries, Inc.</p> <p>TWIN RIDGE ROAD P.O. BOX 718 LINN, MO. 65051</p> | | | |
| <p>Drawing Description:</p> <p>EXTERIOR LAYOUT, FRONT/REAR TYPE-1 WARRIOR, EXTENDED CAB</p> | | | Drawn By: | Date: | Scale: | Revision# |
| | | | S.A.H. | 06-14-23 | NOT TO SCALE | 1 |



- NOTES: THIS DRAWING IS NOT TO SCALE
CHARACTERISTICS AND DIMENSIONS OF FINISHED PRODUCT MAY VARY.
- NOTES:
- 1.) COMPARTMENT DIMENSIONS REFLECT OPENING CLEARANCE.
 - 2.) APPROXIMATE COMPARTMENT DEPTH=20 1/2" DEEP.
 - 3.) MODULE DIMENSIONS=148"L x 96"W x 93"H
 - 4.) INTERIOR MODULE HEAD ROOM=72"H.
 - 5.) ALL 9x7 LIGHTS TO BE WHELEN M9 SERIES LIGHTS. CHROME FLANGES.
 - 6.) DOUBLE STAINLESS THRESHOLDS.
 - 7.) DRY-DECK IN ALL COMPARTMENTS.
 - 8.) SMOOTH ALUMINUM KICKPLATES.

| | | | |
|--------|----------------------|----------|--------------|
| 3 | | | |
| 2 | REVISION DRAFT | 06-15-23 | SAH |
| 1 | BID DRAFT | 06-14-23 | SAH |
| Rev. # | Revision Description | Date | Rev'd App'vd |

| | | | |
|----------------------|--|-----------------|---|
| Stock/Job#: | Osage Dealer: | End Customer: | NOTICE |
| Drawing#: | TEN-8 FIRE CLEARWATER | TWIN RIDGE ROAD | This drawing and/or the information hereon is the exclusive property of Osage Industries and shall not be reproduced, used or disclosed without the authorized written consent of Osage Industries. |
| Cust. App'v/Date# | Osage Industries, Inc. | P.O. BOX 718 | |
| Drawing Description: | EXTERIOR LAYOUT, STREETSIDE TYPE-1 WARRIOR, EXTENDED CAB | Scale: | NOT TO SCALE |
| Drawn By: | S.A.H. | Date: | 06-14-23 |
| Dealer App'v/Date: | | Scale: | NOT TO SCALE |
| Revision# | | | 1 |



NOTES: THIS DRAWING IS NOT TO SCALE
CHARACTERISTICS AND DIMENSIONS OF FINISHED PRODUCT MAY VARY.

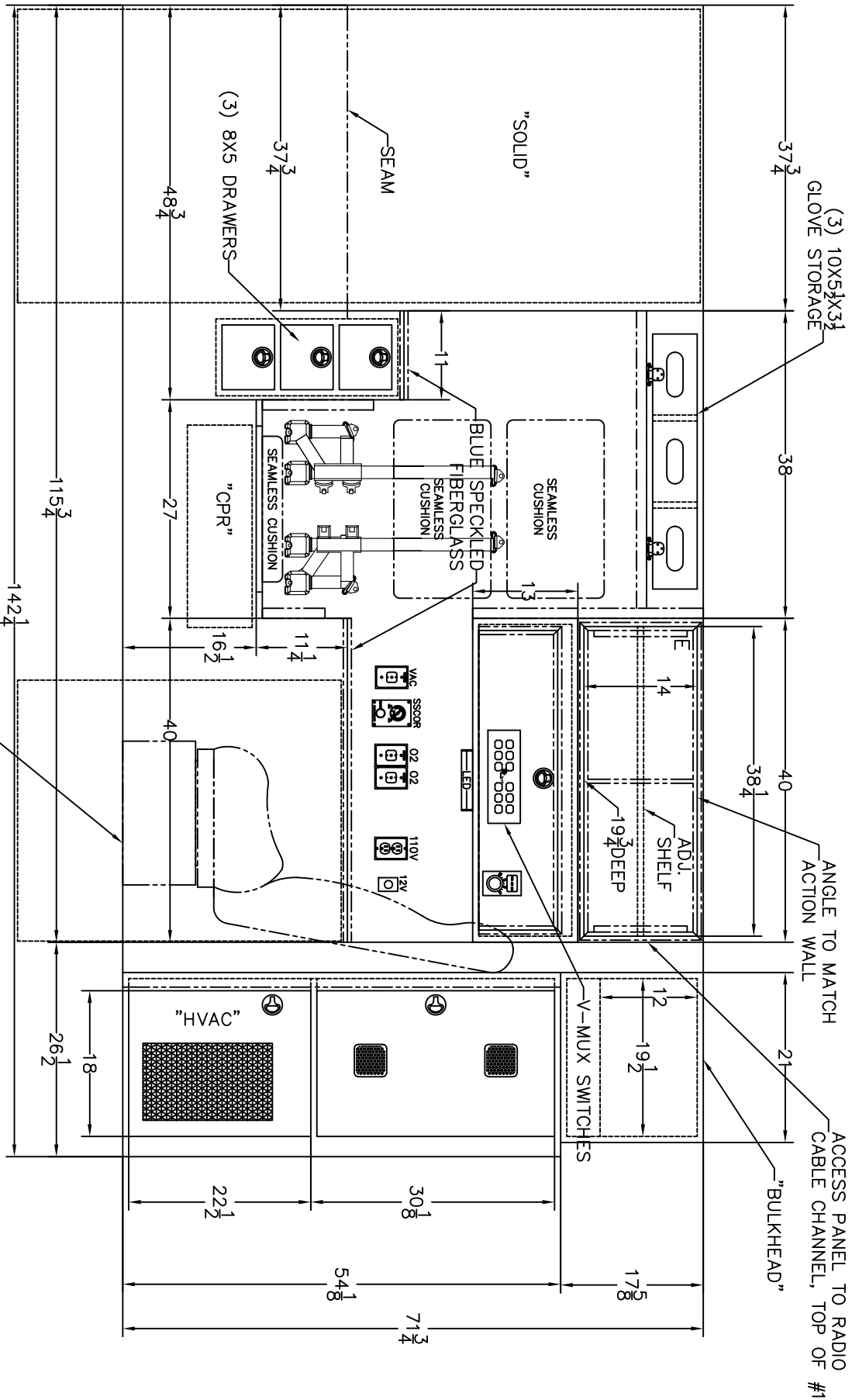
- NOTES:
- 1.) COMPARTMENT DIMENSIONS REFLECT OPENING CLEARANCE.
 - 2.) APPROXIMATE COMPARTMENT DEPTH=20 1/2"DEEP.
 - 3.) MODULE DIMENSIONS=148"L x 96"W x 93"H
 - 4.) INTERIOR MODULE HEAD ROOM=72"H.
 - 5.) ALL 9x7 LIGHTS TO BE WHELEN M9 SERIES LIGHTS. CHROME FLANGES.
 - 6.) DOUBLE STAINLESS THRESHOLDS.
 - 7.) DRY-DECK IN ALL COMPARTMENTS.
 - 8.) SMOOTH ALUMINUM KICKPLATES.

| | | | |
|-------|----------------------|----------|--------------|
| Rev # | Revision Description | Date | Rev'd App'vd |
| 1 | BID DRAFT | 06-14-23 | SAH |
| 2 | | | |
| 3 | | | |

| | | | |
|---|--|-------------------|--------------------|
| Stock/Job#: | Drawing# | Cust. App'v/Date# | Deal'r App'v/Date: |
| Osage Dealer: | CLEARWATER-100C | | |
| End Customer: | TEN-8 FIRE CLEARWATER | | |
| NOTICE | | | |
| This drawing and/or the information hereon is the exclusive property of Osage Industries and shall not be reproduced, used or disclosed without the authorized written consent of Osage Industries. | | | |
| Drawn By: | S.A.H. | Date: | 06-14-23 |
| Drawing Description: | EXTERIOR LAYOUT, CURBSIDE TYPE-1 WARRIOR, EXTENDED CAB | | |
| Scale: | NOT TO SCALE | | |
| Revision# | 1 | | |

Osage Industries, Inc.

TWIN RIDGE ROAD
P.O. BOX 718
LINN, MO. 65051



- NOTES:
- 1.) GRAY GLACE.
 - 2.) S.S. SOUTHCOS.

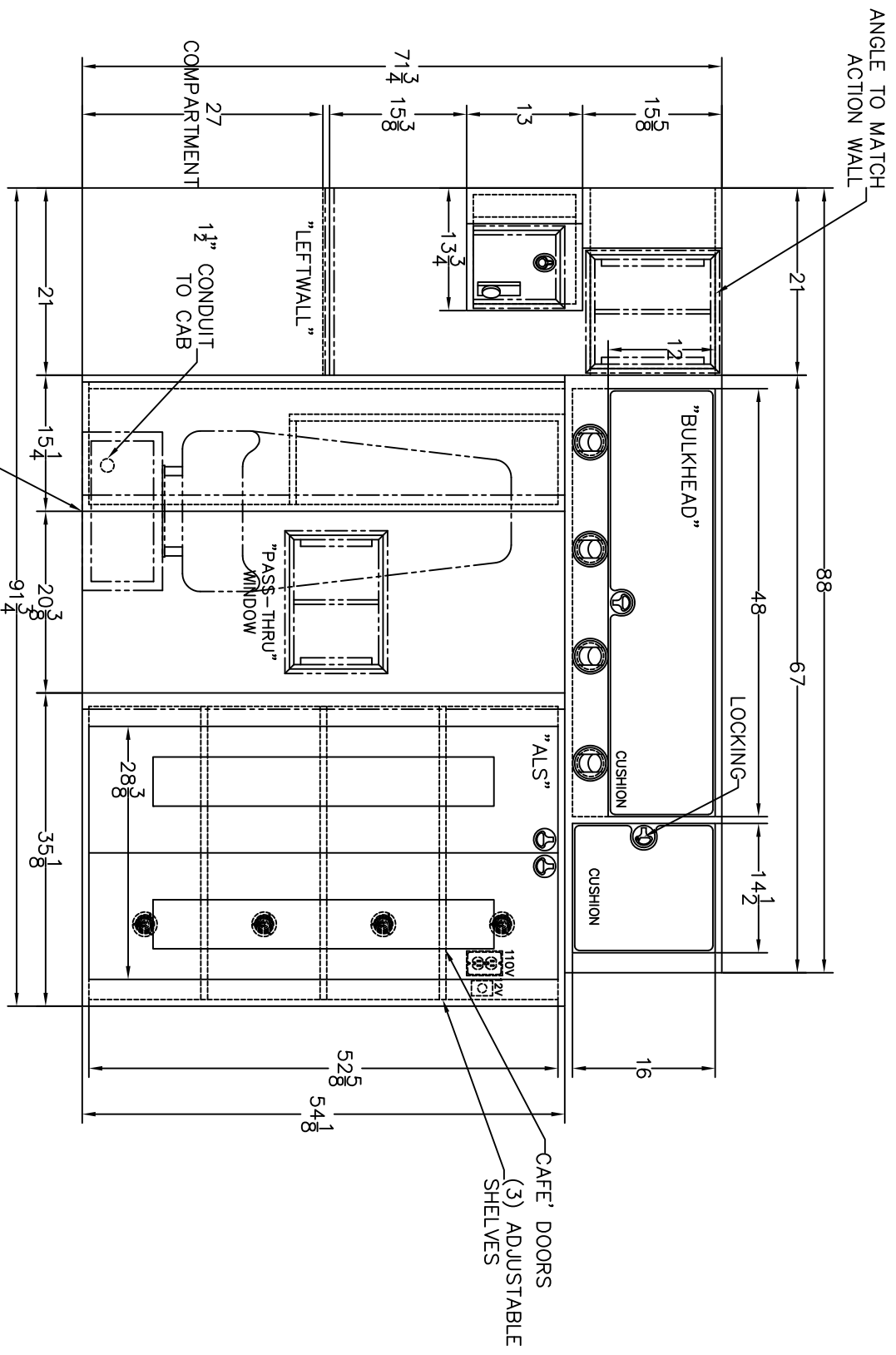
NOTES: THIS DRAWING IS NOT TO SCALE. CHARACTERISTICS AND DIMENSIONS OF FINISHED PRODUCT MAY VARY.

NOTES: CABINET DEPTHS REPRESENT DIMENSION FROM INSIDE REAR TO FRONT FACE OF CABINETS, WITHOUT TRIM. ACTUAL WORKING DEPTH WILL BE LESS THAN DIMENSION SHOWN UNLESS OTHERWISE SPECIFIED.

E.V.S. 3-PT. ATTENDANT SEAT

| | | | | |
|--------|----------------------|----------|--------------|--|
| 3 | | | | |
| 2 | | | | |
| 1 | BID DRAFT | 06-14-23 | SAH | |
| Rev. # | Revision Description | Date | Rev'd App'vd | |

| | | | | | | |
|---|---------------|---------------|--|-----------|-------------------|-------------------|
| Stock/Job#: | Osage Dealer: | End Customer: | Stock/Job#: | Drawing#: | Cust. App'v/Date# | Dea'r App'v/Date: |
| | TEN-8 FIRE | CLEARWATER | CLEARWATER-101 | | | |
| <p>NOTICE</p> <p>This drawing and/or the information hereon is the exclusive property of Osage Industries and shall not be reproduced, used or disclosed without the authorized written consent of Osage Industries.</p> | | | <p>Osage Industries, Inc.</p> <p>TWIN RIDGE ROAD P.O. BOX 718 LINN, MO. 65051</p> | | | |
| <p>Drawing Description:</p> <p>STREETSIDE INTERIOR TYPE-1 WARRIOR, EXTENDED CAB</p> | | | <p>Drawn By: S.A.H. Date: 06-14-23 Scale: NOT TO SCALE</p> | | | |
| <p>Revision #</p> <p>1</p> | | | <p>Revision #</p> <p>1</p> | | | |

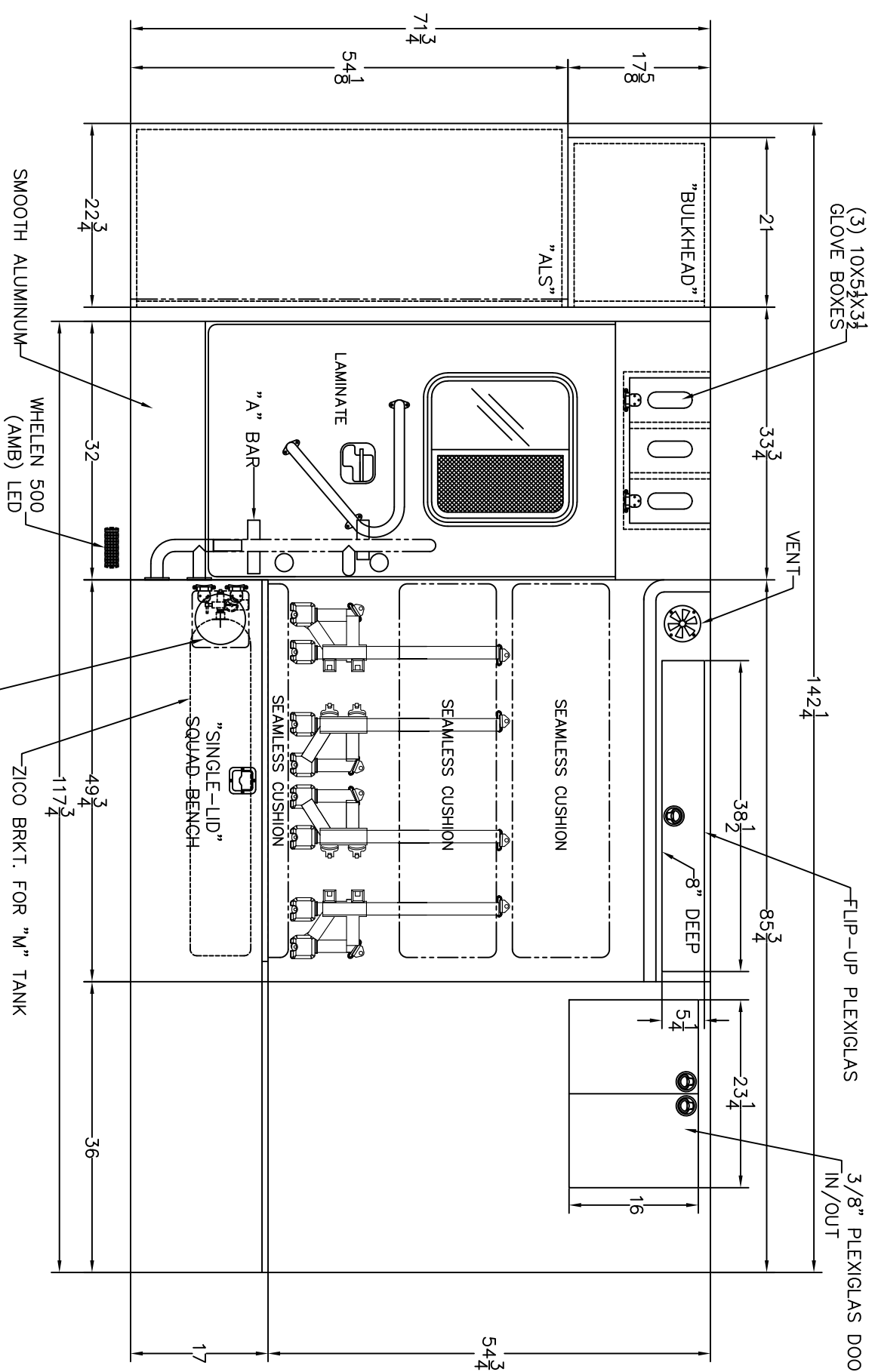


E.V.S. 3-PT. ATTENDANT SEAT

NOTES: THIS DRAWING IS NOT TO SCALE.
 CHARACTERISTICS AND DIMENSIONS OF FINISHED PRODUCT MAY VARY.
 NOTES: CABINET DEPTHS REPRESENT DIMENSION FROM INSIDE REAR TO FRONT FACE OF CABINETS, WITHOUT TRIM. ACTUAL WORKING DEPTH WILL BE LESS THAN DIMENSION SHOWN UNLESS OTHERWISE SPECIFIED.

| | | | |
|--------|----------------------|----------|--------------|
| 3 | | | |
| 2 | | | |
| 1 | BID DRAFT | 06-14-23 | SAH |
| Rev. # | Revision Description | Date | Rev'd App'vd |

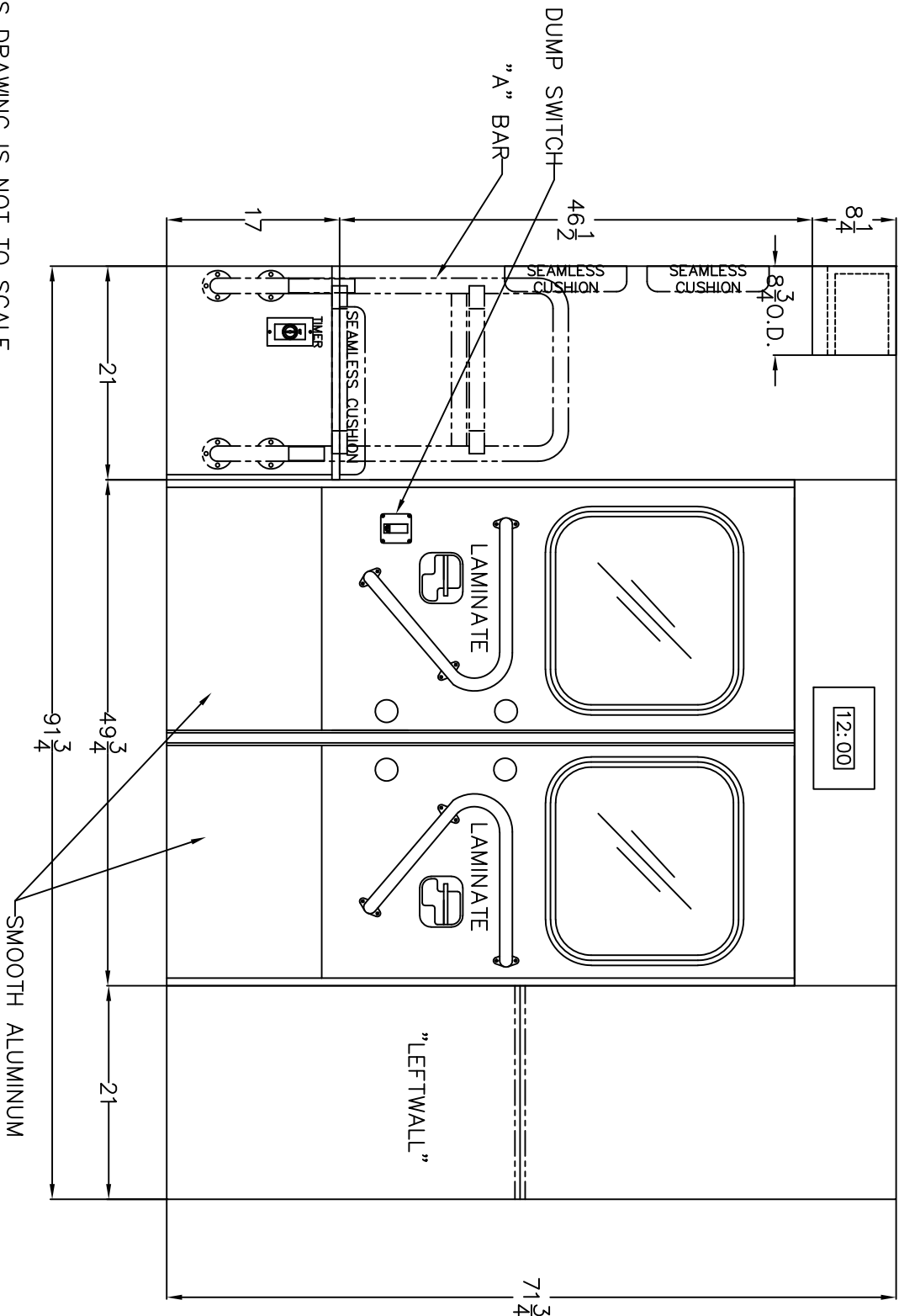
| | | | |
|----------------------|---|-----------------|---|
| Stock/Job#: | Osage Dealer: | End Customer: | NOTICE |
| Drawing#: | TEN-8 FIRE CLEARWATER | TWIN RIDGE ROAD | This drawing and/or the information hereon is the exclusive property of Osage Industries and shall not be reproduced, used or disclosed without the authorized written consent of Osage Industries. |
| Cust. App'v/Date#: | Osage Industries, Inc. | P.O. BOX 718 | |
| Drawing Description: | FORWARD INTERIOR TYPE-1 WARRIOR, EXTENDED CAB | DATE: 06-14-23 | Scale: NOT TO SCALE |
| Revision# | 1 | | |



NOTES: THIS DRAWING IS NOT TO SCALE.
 CHARACTERISTICS AND DIMENSIONS OF FINISHED PRODUCT MAY VARY.
 NOTES: CABINET DEPTHS REPRESENT DIMENSION FROM INSIDE REAR TO FRONT FACE OF CABINETS, WITHOUT TRIM. ACTUAL WORKING DEPTH WILL BE LESS THAN DIMENSION SHOWN UNLESS OTHERWISE SPECIFIED.

| | | | |
|-------|----------------------|----------|--------------|
| 3 | | | |
| 2 | | | |
| 1 | BID DRAFT | 06-14-23 | SAH |
| Rev.# | Revision Description | Date | Rev'd App'vd |

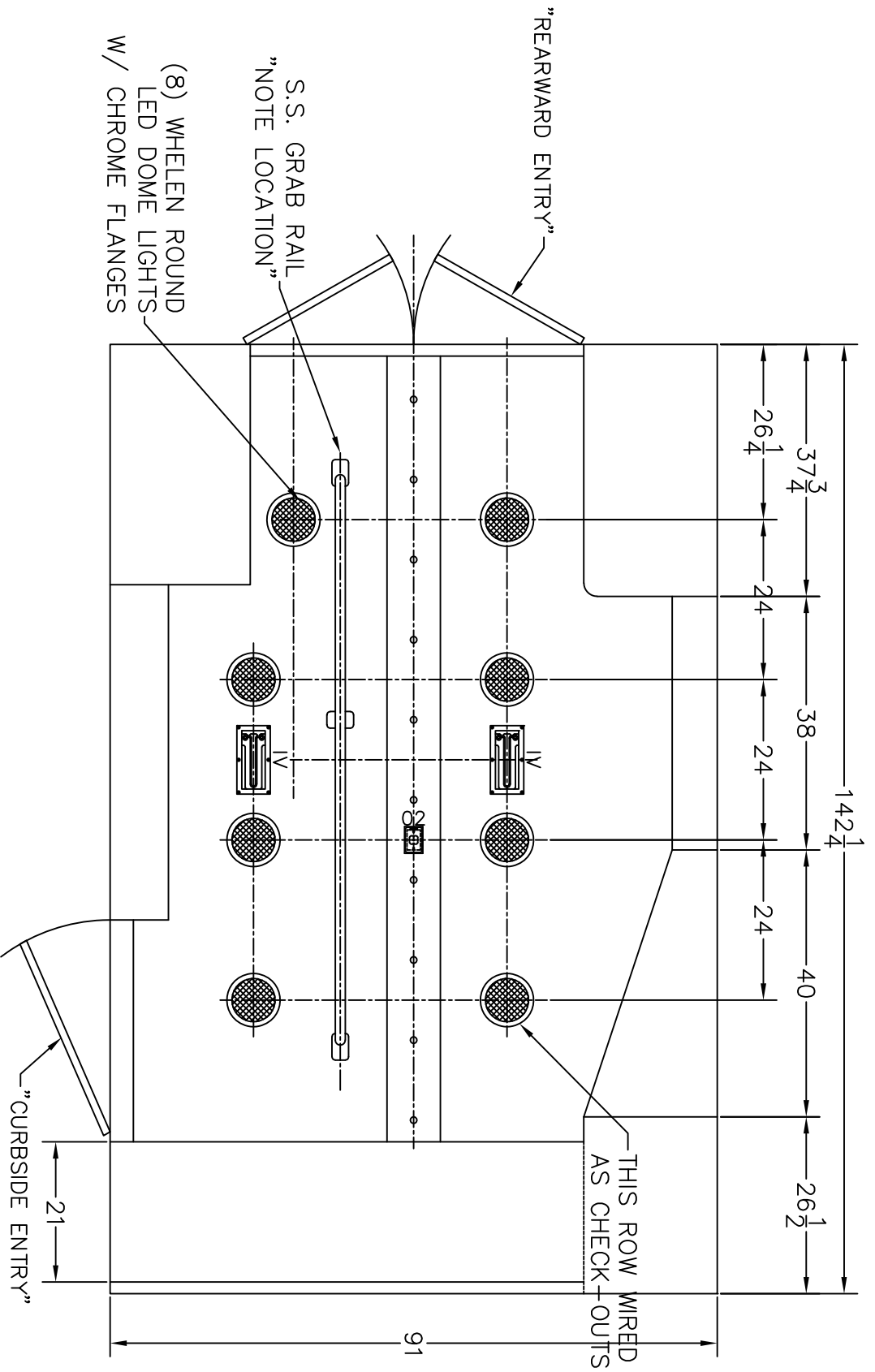
| | | | |
|--------------------|------------------------|-----------------|---|
| Stock/Job#: | Osage Dealer: | End Customer: | NOTICE |
| | TEN-8 FIRE | CLEARWATER | This drawing and/or the information hereon is the exclusive property of Osage Industries and shall not be reproduced, used or disclosed without the authorized written consent of Osage Industries. |
| Drawing#: | CLEARWATER-103 | TWIN RIDGE ROAD | |
| Cust. App'v/Date#: | Osage Industries, Inc. | P.O. BOX 718 | Drawing Description: |
| Dealer App'v/Date: | LINN, MO. 65051 | | |
| Scale: | DATE: | 06-14-23 | CURBSIDE INTERIOR |
| NOT TO SCALE | | | TYPE-I WARRIOR, EXTENDED CAB |
| Revision# | | | 1 |



NOTES: THIS DRAWING IS NOT TO SCALE.
 CHARACTERISTICS AND DIMENSIONS OF FINISHED PRODUCT MAY VARY.
 NOTES: CABINET DEPTHS REPRESENT DIMENSION FROM INSIDE REAR TO FRONT FACE OF CABINETS, WITHOUT TRIM. ACTUAL WORKING DEPTH WILL BE LESS THAN DIMENSION SHOWN UNLESS OTHERWISE SPECIFIED.

| | | | |
|--------|----------------------|----------|--------------|
| 3 | | | |
| 2 | | | |
| 1 | BID DRAFT | 06-14-23 | SAH |
| Rev. # | Revision Description | Date | Rev'd App'vd |

| | | | | |
|----------------------|------------------------|-------------------|-----------------|---|
| Stock/Job#: | Osage Dealer: | End Customer: | NOTICE | This drawing and/or the information hereon is the exclusive property of Osage Industries and shall not be reproduced, used or disclosed without the authorized written consent of Osage Industries. |
| Drawing#: | CLEARWATER-104 | Cust. App'v/Date# | Drawn By: | S.A.H. |
| Drawing Description: | TWIN RIDGE ROAD | Date: | 06-14-23 | Scale: |
| Deal'r App'v/Date: | Osage Industries, Inc. | P.O. BOX 718 | LINN, MO. 65051 | NOT TO SCALE |
| Revision# | 1 | REARWARD INTERIOR | TYPE-1 WARRIOR | |



NOTES: THIS DRAWING IS NOT TO SCALE.
 CHARACTERISTICS AND DIMENSIONS OF FINISHED
 PRODUCT MAY VARY.

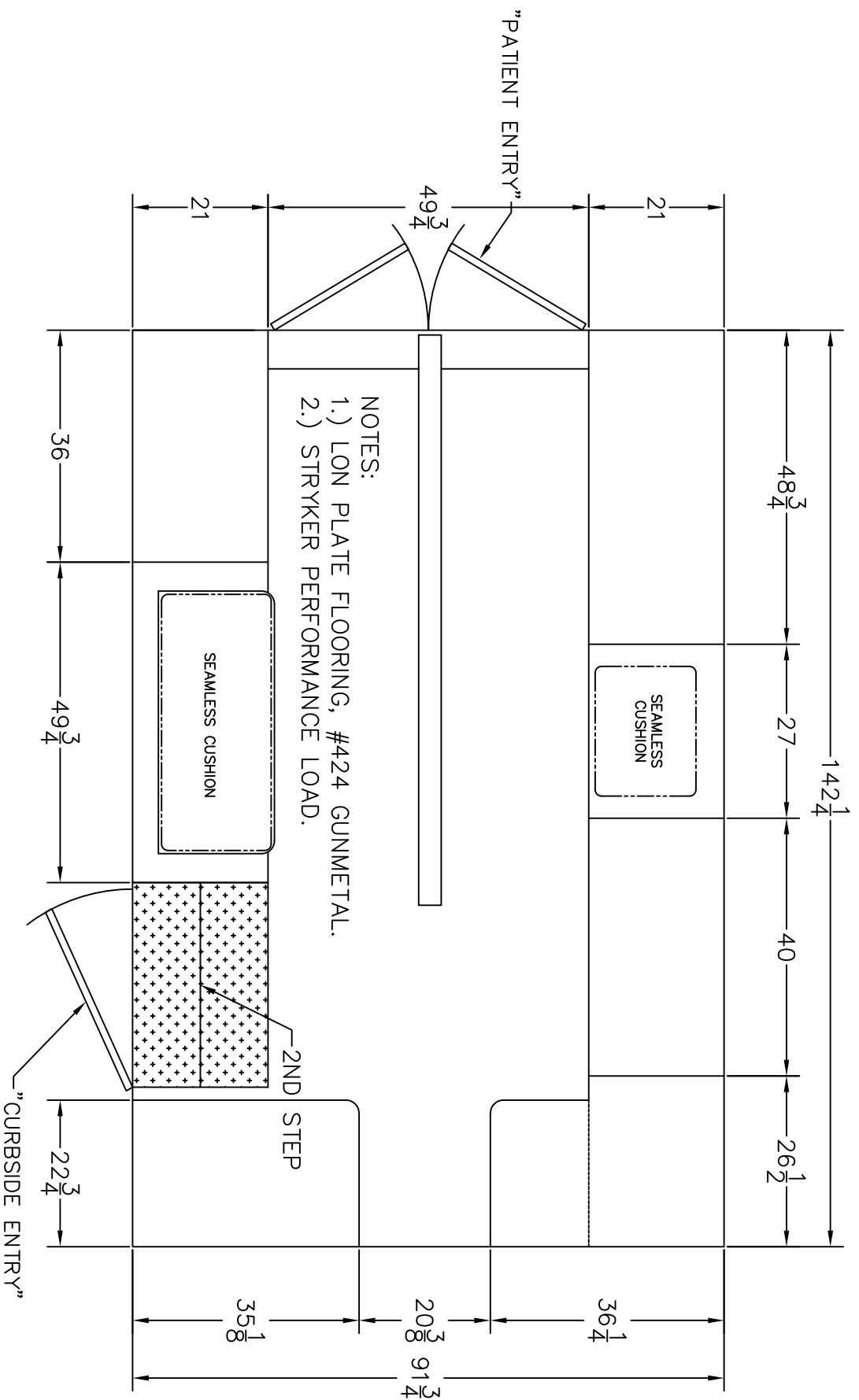
| | | | | | | | | | |
|-------|----------------------|----------|-------|--------|--|--|--|--|--|
| 3 | | | | | | | | | |
| 2 | | | | | | | | | |
| 1 | BID DRAFT | 06-14-23 | SAH | | | | | | |
| Rev.# | Revision Description | Date | Rev'd | App'vd | | | | | |

| | | | | | | | |
|---------------|------------|----------------------|--|--------------------|----------|--------------------|--------------|
| Stock/Job#: | | Drawing#: | CLEARWATER-105 | Cust. App'v/Date#: | | Deal'r App'v/Date: | |
| Osage Dealer: | TEN-8 FIRE | Drawn By: | S.A.H. | Date: | 06-14-23 | Scale: | NOT TO SCALE |
| End Customer: | CLEARWATER | Drawing Description: | CEILING LAYOUT TYPE-1 WARRIOR, EXTENDED CAB | | | | |

NOTICE

This drawing and/or the information hereon is the exclusive property of Osage Industries and shall not be reproduced, used or disclosed without the authorized written consent of Osage Industries.

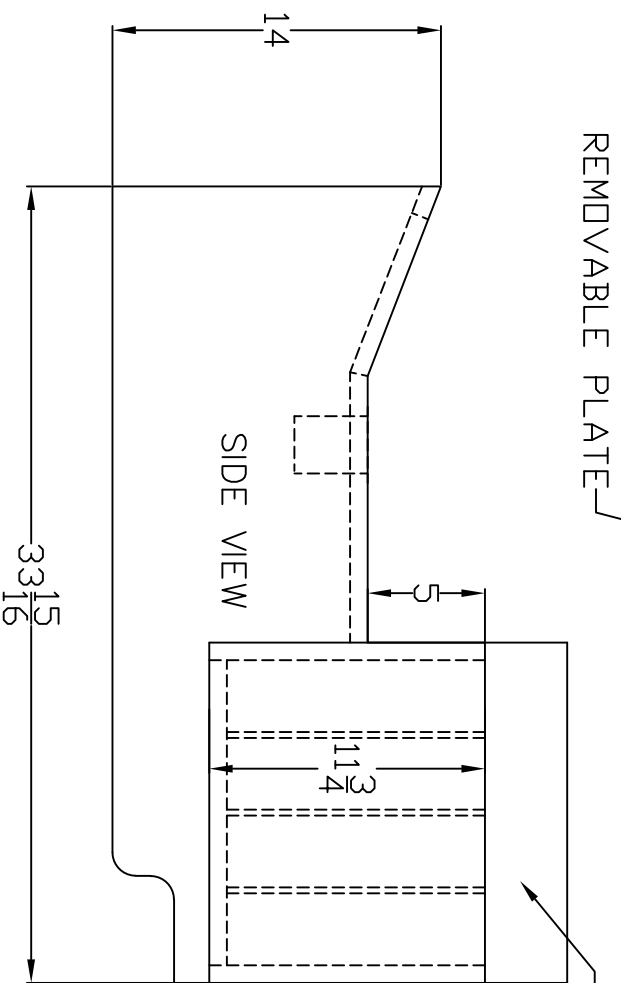
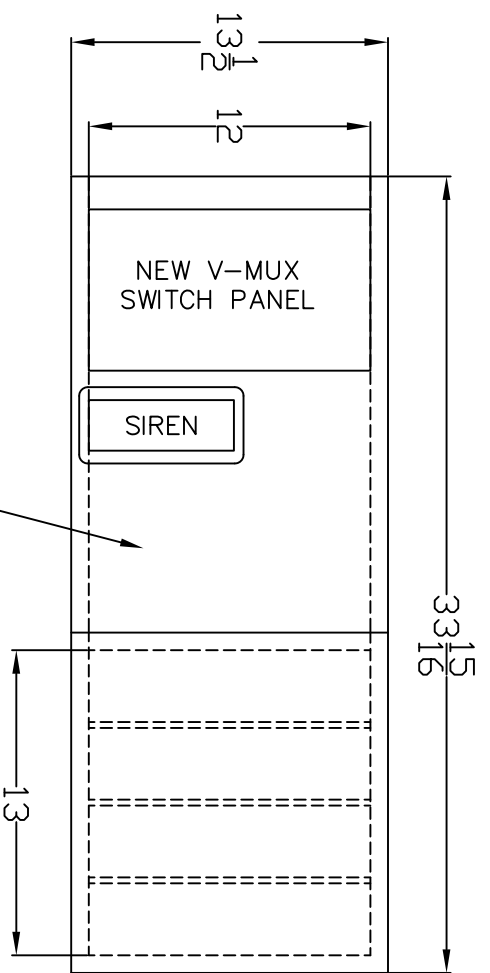
Osage Industries, Inc.
 TWIN RIDGE ROAD
 P.O. BOX 718
 LINN, MO. 65051



NOTES:
 1.) LON PLATE FLOORING, #424 GUNMETAL.
 2.) STRYKER PERFORMANCE LOAD.

NOTES: THIS DRAWING IS NOT TO SCALE.
 CHARACTERISTICS AND DIMENSIONS OF FINISHED
 PRODUCT MAY VARY.

| | | | | | | | | | | | | |
|--|----------------------|----------|--------------|---|--|--|--|---|--|---|--|------------------------------------|
| 3 | | | | | | | | | | | | |
| 2 | | | | | | | | | | | | |
| 1 | BID DRAFT | 06-14-23 | SAH | | | | | | | | | |
| Rev. # | Revision Description | Date | Rev'd App'vd | | | | | | | | | |
| Stock/Job#: _____ Osage Dealer: TEN-8 FIRE End Customer: CLEARWATER | | | | Drawing# CLEARWATER-106 Osage Industries, Inc. TWIN RIDGE ROAD P.O. BOX 718 LINN, MO. 65051 | | | | Cust. App'v/Date# _____ Dealer App'v/Date: _____ | | Drawing Description: FLOOR LAYOUT TYPE-1 WARRIOR, EXTENDED CAB | | Scale: NOT TO SCALE Revision# 1 |
| NOTICE This drawing and/or the information hereon is the exclusive property of Osage Industries and shall not be reproduced, used or disclosed without the authorized written consent of Osage Industries. | | | | | | | | | | | | |



NOTES: THIS DRAWING IS NOT TO SCALE.
 CHARACTERISTICS AND DIMENSIONS OF
 FINISHED PRODUCT MAY VARY.

| | | | | |
|-------|----------------------|----------|--------------|--|
| 3 | | | | |
| 2 | | | | |
| 1 | BID DRAFT | 06-14-23 | SAH | |
| Rev.# | Revision Description | Date | Rev'd App'vd | |

| | | | | |
|--|-------------------|---|---------------------|---|
| Stock/Job#: | Osage Dealer: | End Customer: | NOTICE | This drawing and/or the information hereon is the exclusive property of Osage Industries and shall not be reproduced, used or disclosed without the authorized written consent of Osage Industries. |
| Drawing# CLEARWATER-107 | Cust. App'v/Date# | Dealer App'v/Date: | Drawn By: S.A.H. | Date: 06-14-23 |
| Osage Industries, Inc. | | OSAGE RADIO CONSOLE TYPE 1, PASS-THROUGH | | |
| TWIN RIDGE ROAD P.O. BOX 718 LINN, MO. 65051 | | Scale: NOT TO SCALE | | |
| | | | | Revision# 1 |