

ALAN JAY FLEET SALES

Contract Number: 5179 - 2026 CITY OF TALLAHASSEE
Quote ID: 71967
Agency: CLEARWATER, CITY OF
Date: 5/21/2026

Thank you from the Alan Jay Fleet Team for the opportunity to provide this quotation for (1) 2026 FORD F-450 SUPER CREW CAB CHASSIS 4WD DRW 179" WB XL 60" CA, please review carefully and contact us with any errors or changes.

MSRP:	\$72,430.00
Base Price:	\$59,303.00
Factory Options:	\$5,775.00
Aftermarket Options:	\$44,345.00
Purchase Total:	\$109,423.00

Per attached vehicle specifications.

This quotation is valid as long as the manufacturer is accepting orders for the model year specified. Purchase orders received after factory order cutoff may not be honorable. The vehicle(s) offered on this quotation will be ordered in the color(s) listed. Please contact your Alan Jay sales representative with any questions you have on this quote.

Quoted By: CHRISTY SELF / 904-838-4999 / Christy.Self@AlanJay.com

Call Us first, for all of your Fleet Automotive, & Light Truck needs.

Quote

PHONE (800) ALANJAY (252-6529)		DIRECT 863-385-9610	WWW.ALANJAY.COM	71967-3
Corporate Office	2003 U.S. 27 South Sebring, FL 33870	MOBILE 904-838-4999	Mailing Address	P.O. BOX 9200 Sebring, FL 33871-9200
		FAX 863-402-4221		

ORIGINAL QUOTE DATE
5/9/2026

QUICK QUOTE SHEET

REVISED QUOTE DATE
5/21/2026

REQUESTING AGENCY	CLEARWATER, CITY OF		
CONTACT PERSON	RYAN BESSLER	EMAIL	Ryan.Bessler@MyClearwater.com
PHONE	727-871-5553	MOBILE	FAX

CONTRACT NUMBER 5179 - 2026 CITY OF TALLAHASSEE

MODEL	W4H 650A	MSRP	\$72,430.00
2026 FORD F-450 SUPER CREW CAB CHASSIS 4WD DRW 179" WB XL 60" CA			

CUSTOMER ID	BUDGET QUOTE	GOVERNMENT PRICE	\$59,303.00
BED LENGTH	60" CA		

** All vehicles will be ordered white w/ darkest interior unless clearly stated otherwise on purchase order.

FACTORY OPTIONS	DESCRIPTION	
MY27	2027 MODEL YEAR (Estimated Increase) Actual Price to be determined	\$1,500.00
PQ	Race Red	\$195.00
3S	Medium Dark Slate, Cloth 40/20/40 Split Bench Seat	\$0.00
99N	Engine: 7.3L 2V DEVCT NA PFI V8 ***Gas Motor***	\$0.00
44G	Transmission: TorqShift 10-Speed Automatic	\$0.00
18B	Platform Running Boards	\$440.00
153	OPTIONS Front License Plate Bracket	\$0.00
41P	Transfer Case Skid Plates	\$145.00
47A	Ambulance Prep Package	\$1,200.00
59H	Center High-Mounted Stop Lamp (CHMSL)	\$95.00
64D	Wheels: 19.5" x 6" Forged Polished Aluminum	\$1,090.00
653A	Order Code 653A	\$0.00
67B	410 Amp Dual Alternators	\$0.00
TGK	Tires: 225/70Rx19.5G BSW Traction (TGK)	\$210.00
X8L	Limited Slip w/4.88 Axle Ratio	\$390.00
PW PL RKE BT	Power Windows, Power Door Locks, Remote Keyless Entry, & Bluetooth features are standard equipment for this vehicle. (See Attached Vehicle Build sheet for complete details)	\$0.00
872	Rear View Camera & Prep Kit	\$510.00

AFTERMARKET OPTIONS	DESCRIPTION	FACTORY OPTIONS	\$5,775.00
K 6108D CUSTOM CWFD	Knapheide 6108D54H60 CUSTOM BODY RED PACKAGE (Clearwater Fire) 6108D54H60 Service Body Transverse Compartment Delete standard adjustable shelves Transverse Open Both Sides Trans Stationary Shelf (2) fixed shelves installed at top of transverse compartment First 4" from bottom of door opening. Second one 4" below the first. Fixed shelf L1R1V A fixed shelf installed at floor height on both sides of transverse Slide Master SM3-HD 100% extension 2000 lb capacity y to go in cargo area Approx 72"D x 50"W with 3/16" alum tray. install Slide master In cargo area under false floor False Floor Installed at tailgate height Fixed Roof w/Vert Doors With rear vertical barn doors 1-1/2" sch 40 pipe (1) To run from LRV to RRV Pre-Punch Holes-Body Punch holes in back of LRV and RRV to run pipe through GM 60"CA Install Kit For use with wheel housing delete with 6" understructure. Paint Race Red 108H60 Exterior of body painted Race Red. Led Surface Mount Lights Inst		\$41,135.00

CONTRACT NUMBER 5179 - 2026 CITY OF TALLAHASSEE

Bumper ay GALVGRP94 rec W 94" Wide Knap Liner Galva-Grip Hitch Recess
 Bumper - Loose
 Hitch ay UB FD, RM, GM35 re 81551 FORD, RAM, GM 3500HD 60+CA
 Tailgate Delete
 STREETSIDE (Left)
 Slide Master SM3-HR Slide 100% extension 2000 lb capacity to go in transverse compartment and come out the street side.
 Approx 48"D x 28"W with 3/16" alum tray.
 Install Slide Master Installed on transverse floor.
 CURBSIDE (Right)
 Slide Master SM3-HR Slide 100% extension 2000 lb capacity to go in transverse compartment and come out the curb side.
 Approx 48"D x 28"W with 3/16" alum tray.
 Install Slide Master Installed on transverse floor
 [Body Installation. 2nd Stage MSO, Weight Slip, and Completed Vehicle Certification.]

CAMERA-F	Dealer installed factory ordered camera (REQUIRES 872).	\$225.00
DTF 4 TRK	Deep tint film installed on four doors and back glass for extended/crew cab pickups.	\$240.00
D2T-WOR	Dealer two tone paint with WHITE over factory RED Ford PQ - no paint work on pickup box, cab only.	\$2,500.00
INSTALL	INSTALLATION FOR ALL ABOVE MENTIONED EQUIPMENT	\$0.00
NEW-TAG-CITY	New CITY tag Includes temp tag & two way overnight shipping for signature.	\$245.00
AFTERMARKET OPTIONS		\$44,345.00

TRADE IN **TOTAL COST** \$109,423.00

YES WE TAKE TRADE INS ~~~ ASK ABOUT MUNICIPAL FINANCING ~~~

TOTAL COST LESS TRADE IN(S) QTY 1 \$109,423.00

Estimated Annual payments for 60 months paid in advance: \$25,158.61
 Municipal finance for any essential use vehicle, requires lender approval, WAC.

Comments **QUOTE SUBJECT TO FACTORY ORDER ACCEPTANCE or 30 DAYS**

VEHICLE QUOTED BY **CHRISTY SELF** GOVERNMENT ACCOUNT MANAGER Christy.Self@AlanJay.com

"I Want to be Your Fleet Provider"

I appreciate the opportunity to submit this quotation. Please review it carefully. If there are any errors or changes, please feel free to contact me at any time. I am always happy to be of assistance.



Alan Jay Fleet Sales

Chris Wilson | 863-402-4234 | chris.wilson@alanjay.com

Vehicle: [Fleet] 2026 Ford Super Duty F-450 DRW (W4H) XLT 4WD Crew Cab 179" WB 60" CA (Complete)



Note:Photo may not represent exact vehicle or selected equipment.

Window Sticker

SUMMARY

[Fleet] 2026 Ford Super Duty F-450 DRW (W4H) XLT 4WD Crew Cab 179" WB 60" CA

MSRP:\$65,315.00

Interior:Medium Dark Slate, Cloth 40/20/40 Split Bench Seat

Exterior 1:Race Red

Exterior 2:No color has been selected.

Engine: 7.3L 2V DEVCT NA PFI V8 Gas

Transmission: TorqShift 10-Speed Automatic

OPTIONS

CODE	MODEL	MSRP
W4H	[Fleet] 2026 Ford Super Duty F-450 DRW (W4H) XLT 4WD Crew Cab 179" WB 60" CA	\$65,315.00
OPTIONS		
153	Front License Plate Bracket	\$0.00
18B	Platform Running Boards	\$445.00
3S	Medium Dark Slate, Cloth 40/20/40 Split Bench Seat	\$0.00
41P	Transfer Case Skid Plates	\$150.00
44G	Transmission: TorqShift 10-Speed Automatic	\$0.00

This document contains information considered Confidential between GM and its Clients uniquely. The information provided is not intended for public disclosure. Prices, specifications, and availability are subject to change without notice, and do not include certain fees, taxes and charges that may be required by law or vary by manufacturer or region. Performance figures are guidelines only, and actual performance may vary. Photos may not represent actual vehicles or exact configurations. Content based on report preparer's input is subject to the accuracy of the input provided.

Data Version: 28437. Data Updated: May 9, 2026 1:47:00 AM UTC.



Alan Jay Fleet Sales

Chris Wilson | 863-402-4234 | chris.wilson@alanjay.com

Vehicle: [Fleet] 2026 Ford Super Duty F-450 DRW (W4H) XLT 4WD Crew Cab 179" WB 60" CA (Complete)

47A	Ambulance Prep Package		\$1,205.00
59H	Center High-Mounted Stop Lamp (CHMSL)		\$100.00
64D	Wheels: 19.5" x 6" Forged Polished Aluminum		\$1,095.00
653A	Order Code 653A		\$0.00
67B	410 Amp Dual Alternators	Inc.	
872	Rear View Camera & Prep Kit		\$515.00
99N	Engine: 7.3L 2V DEVCT NA PFI V8 Gas		\$0.00
PQ	Race Red		\$200.00
TGK	Tires: 225/70Rx19.5G BSW Traction (TGK)		\$215.00
X8L	Limited Slip w/4.88 Axle Ratio		\$395.00
SUBTOTAL			\$69,635.00
Adjustments Total			\$0.00
Destination Charge			\$2,795.00
TOTAL PRICE			\$72,430.00

FUEL ECONOMY

Est City:N/A

Est Highway:N/A

Est Highway Cruising Range:N/A

This document contains information considered Confidential between GM and its Clients uniquely. The information provided is not intended for public disclosure. Prices, specifications, and availability are subject to change without notice, and do not include certain fees, taxes and charges that may be required by law or vary by manufacturer or region. Performance figures are guidelines only, and actual performance may vary. Photos may not represent actual vehicles or exact configurations. Content based on report preparer's input is subject to the accuracy of the input provided.

Data Version: 28437. Data Updated: May 9, 2026 1:47:00 AM UTC.



Alan Jay Fleet Sales

Chris Wilson | 863-402-4234 | chris.wilson@alanjay.com

Vehicle: [Fleet] 2026 Ford Super Duty F-450 DRW (W4H) XLT 4WD Crew Cab 179" WB 60" CA (Complete)

Standard Equipment

Mechanical

- Engine: 7.3L 2V DEVCT NA PFI V8 Gas -inc: 410 Amp Dual Alternators, 250 Amp + 160 Amp (STD)
- Transmission: TorqShift 10-Speed Automatic -inc: SelectShift, selectable drive modes: normal, tow/haul, eco, slippery roads and off-road and transmission power take-off provision (STD)
- 4.88 Axle Ratio (STD)
- 50-State Emissions System
- Transmission w/Driver Selectable Mode and Oil Cooler
- Electronic Transfer Case
- Part-Time Four-Wheel Drive
- 68-Amp/Hr 750CCA Maintenance-Free Battery w/Run Down Protection
- Dual 250 Amp Alternator
- Trailer Wiring Harness
- Towing Equipment -inc: Brake Controller and Trailer Sway Control
- 9020# Maximum Payload
- GVWR: 16,500 lb Payload Package
- HD Gas-Pressurized Shock Absorbers
- Front And Rear Anti-Roll Bars
- Firm Suspension
- Hydraulic Power-Assist Steering
- 40 Gal. Fuel Tank
- Single Stainless Steel Exhaust
- Dual Rear Wheels
- Auto Locking Hubs
- Front Suspension w/Coil Springs
- Solid Axle Rear Suspension w/Leaf Springs
- 4-Wheel Disc Brakes w/4-Wheel ABS, Front And Rear Vented Discs, Brake Assist, Hill Hold Control and Electric Parking Brake
- Upfitter Switches

Exterior

- Wheels: 19.5" x 6" Argent Painted Steel -inc: Hub covers/center ornaments not included (STD)
- Tires: 225/70Rx19.5G BSW A/P (STD)

This document contains information considered Confidential between GM and its Clients uniquely. The information provided is not intended for public disclosure. Prices, specifications, and availability are subject to change without notice, and do not include certain fees, taxes and charges that may be required by law or vary by manufacturer or region. Performance figures are guidelines only, and actual performance may vary. Photos may not represent actual vehicles or exact configurations. Content based on report preparer's input is subject to the accuracy of the input provided.

Data Version: 28437. Data Updated: May 9, 2026 1:47:00 AM UTC.



Alan Jay Fleet Sales

Chris Wilson | 863-402-4234 | chris.wilson@alanjay.com

Vehicle: [Fleet] 2026 Ford Super Duty F-450 DRW (W4H) XLT 4WD Crew Cab 179" WB 60" CA (Complete)

Exterior

- Chrome Front Bumper w/Body-Colored Rub Strip/Fascia Accent and 2 Tow Hooks
- Black Fender Flares
- Black Side Windows Trim and Black Front Windshield Trim
- Black Door Handles
- Black Power Heated Side Mirrors w/Convex Spotter, Manual Folding and Turn Signal Indicator
- Manual Extendable Trailer Style Mirrors
- Fixed Rear Window
- Variable Intermittent Wipers
- Deep Tinted Glass
- Aluminum Panels
- Front Splash Guards
- Chrome Grille
- Autolamp Auto On/Off Reflector Halogen Daytime Running Lights Preference Setting Headlamps w/Delay-Off
- Cab Clearance Lights
- Perimeter/Approach Lights
- Front Fog Lamps

Entertainment

- Radio w/Seek-Scan, Clock, Speed Compensated Volume Control and Aux Audio Input Jack
- Radio: AM/FM Stereo w/MP3 Player -inc: 6 speakers and auxiliary audio input jack
- Fixed Antenna
- 6 Speakers
- SYNC 4 w/8" Center Display -inc: wireless phone connection, cloud connected, AppLink w/app catalog, 911 Assist, Apple CarPlay and Android Auto compatibility and digital owner's manual
- Wireless Phone Connectivity
- 2 LCD Monitors In The Front

Interior

- 4-Way Driver Seat -inc: Manual Recline and Fore/Aft Movement
- 4-Way Passenger Seat -inc: Manual Recline and Fore/Aft Movement
- 60-40 Folding Split-Bench Front Facing Fold-Up Cushion Rear Seat
- Manual Tilt/Telescoping Steering Column

This document contains information considered Confidential between GM and its Clients uniquely. The information provided is not intended for public disclosure. Prices, specifications, and availability are subject to change without notice, and do not include certain fees, taxes and charges that may be required by law or vary by manufacturer or region. Performance figures are guidelines only, and actual performance may vary. Photos may not represent actual vehicles or exact configurations. Content based on report preparer's input is subject to the accuracy of the input provided.

Data Version: 28437. Data Updated: May 9, 2026 1:47:00 AM UTC.



Alan Jay Fleet Sales

Chris Wilson | 863-402-4234 | chris.wilson@alanjay.com

Vehicle: [Fleet] 2026 Ford Super Duty F-450 DRW (W4H) XLT 4WD Crew Cab 179" WB 60" CA (Complete)

Interior

Gauges -inc: Speedometer, Odometer, Oil Pressure, Engine Coolant Temp, Tachometer, Transmission Fluid Temp, Engine Hour Meter, Trip Odometer and Trip Computer

Power Rear Windows

Front Cupholder

Rear Cupholder

3 12V DC Power Outlets

Compass

Remote Keyless Entry w/Integrated Key Transmitter, Illuminated Entry and Panic Button

Cruise Control w/Steering Wheel Controls

Manual Air Conditioning

HVAC -inc: Underseat Ducts

Locking Glove Box

Full Cloth Headliner

Urethane Gear Shifter Material

Interior Trim -inc: Metal-Look Instrument Panel Insert and Chrome Interior Accents

Cloth 40/20/40 Split Bench Seat -inc: 20% center under-seat storage, center armrest, cupholder, storage, 2-way adjustable driver/passenger headrests and driver's side manual lumbar

Day-Night Rearview Mirror

Driver And Passenger Visor Vanity Mirrors

Full Overhead Console w/Storage, 3 12V DC Power Outlets and 2 Interior 120V AC Power Outlets

Fade-To-Off Interior Lighting

Front And Rear Map Lights

Full Carpet Floor Covering -inc: Carpet Front And Rear Floor Mats

Smart Device Remote Engine Start

Smart Device Integration

Ford Connectivity Package (1-Year Included) -inc: unlimited Wi-Fi hotspot, Included for 1-year from warranty start date, Requires activation via Ford app w/credit card authorization; customer may cancel at any time, Evolving technology/cellular networks/vehicle capability may limit functionality and prevent operation of connected features, Ford may temporarily slow data speeds if such data usage reaches or exceeds 50GB within a billing cycle or due to network limitations, If a customer uses more than 50% of their data usage in a roaming country during a 60-day period, Ford may remove or limit the customer's data plan

Instrument Panel Covered Bin, Dashboard Storage, Driver / Passenger And Rear Door Bins and Locking 1st Row Underseat Storage

This document contains information considered Confidential between GM and its Clients uniquely. The information provided is not intended for public disclosure. Prices, specifications, and availability are subject to change without notice, and do not include certain fees, taxes and charges that may be required by law or vary by manufacturer or region. Performance figures are guidelines only, and actual performance may vary. Photos may not represent actual vehicles or exact configurations. Content based on report preparer's input is subject to the accuracy of the input provided.

Data Version: 28437. Data Updated: May 9, 2026 1:47:00 AM UTC.



Alan Jay Fleet Sales

Chris Wilson | 863-402-4234 | chris.wilson@alanjay.com

Vehicle: [Fleet] 2026 Ford Super Duty F-450 DRW (W4H) XLT 4WD Crew Cab 179" WB 60" CA (Complete)

Interior

Power 1st Row Windows w/Driver And Passenger 1-Touch Up/Down

Delayed Accessory Power

Power Door Locks w/Autolock Feature

Driver Information Center

Trip Computer

Outside Temp Gauge

Digital/Analog Appearance

Front Center Armrest w/Storage

Manual Adjustable Front Head Restraints and Manual Adjustable Rear Head Restraints

Seats w/Cloth Back Material

2 Seatback Storage Pockets

Perimeter Alarm

Securilock Anti-Theft Ignition (pats) Immobilizer

Air Filtration

3 12V DC Power Outlets and 2 Interior 120V AC Power Outlets

Safety-Mechanical

Driveline Traction Control

Safety-Exterior

Side Impact Beams

Safety-Interior

Dual Stage Driver And Passenger Seat-Mounted Side Airbags

Emergency Sos Capability

Pre-Collision Assist with Automatic Emergency Braking (AEB)

Lane Departure Warning

Collision Mitigation-Front

Tire Specific Low Tire Pressure Warning

Outboard Front Lap And Shoulder Safety Belts -inc: Height Adjusters

Safety Canopy System Curtain 1st And 2nd Row Airbags

Dual Stage Driver And Passenger Front Airbags

Rear Child Safety Locks


This document contains information considered Confidential between GM and its Clients uniquely. The information provided is not intended for public disclosure. Prices, specifications, and availability are subject to change without notice, and do not include certain fees, taxes and charges that may be required by law or vary by manufacturer or region. Performance figures are guidelines only, and actual performance may vary. Photos may not represent actual vehicles or exact configurations. Content based on report preparer's input is subject to the accuracy of the input provided.

Data Version: 28437. Data Updated: May 9, 2026 1:47:00 AM UTC.



Alan Jay Fleet Sales

Chris Wilson | 863-402-4234 | chris.wilson@alanjay.com

Vehicle: [Fleet] 2026 Ford Super Duty F-450 DRW (W4H) XLT 4WD Crew Cab 179" WB 60" CA ( Complete)

WARRANTY

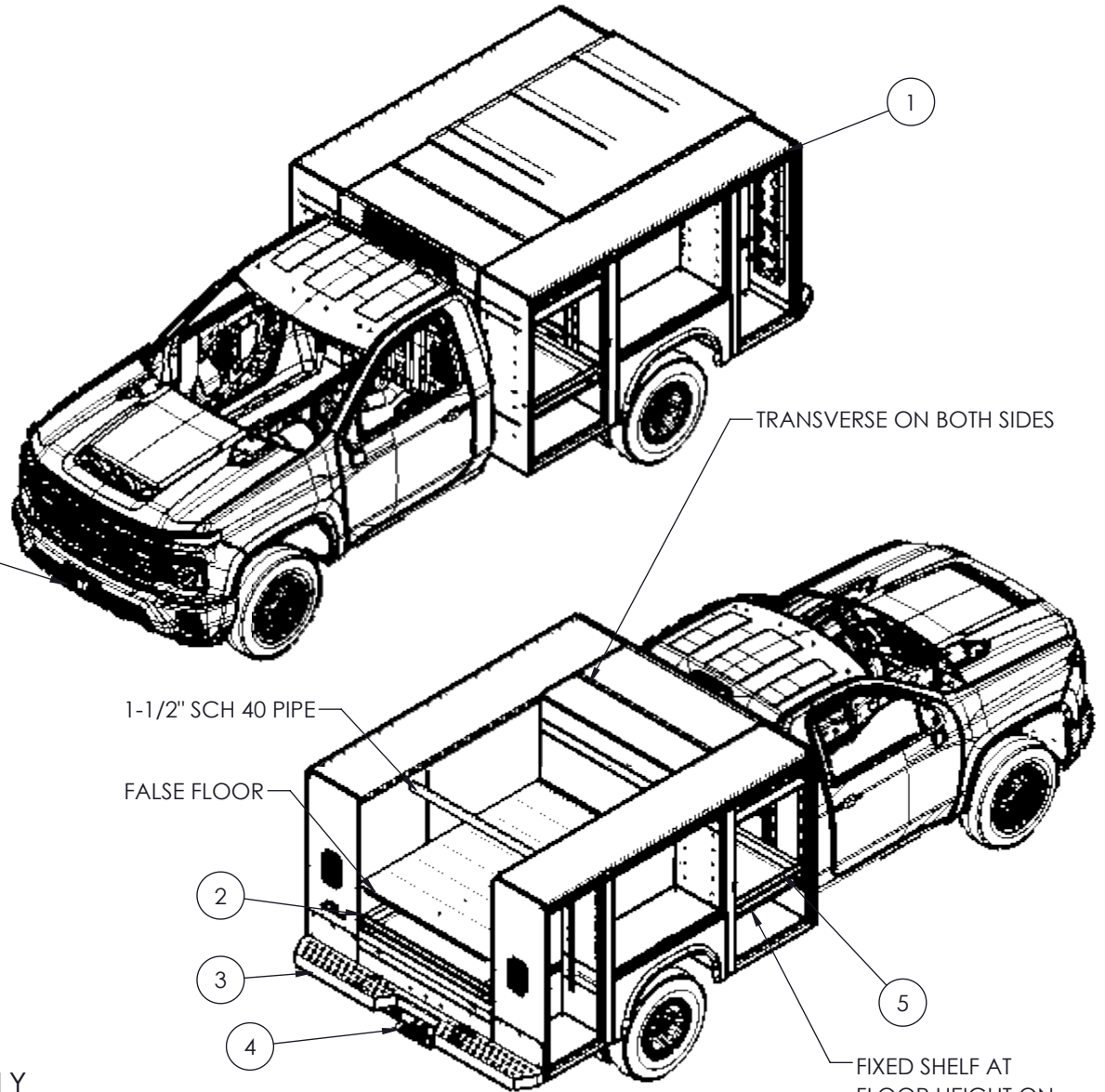
Basic Years: 3
Basic Miles/km: 36,000
Drivetrain Years: 5
Drivetrain Miles/km: 60,000
Corrosion Years: 5
Corrosion Miles/km: Unlimited
Roadside Assistance Years: 5
Roadside Assistance Miles/km: 60,000

This document contains information considered Confidential between GM and its Clients uniquely. The information provided is not intended for public disclosure. Prices, specifications, and availability are subject to change without notice, and do not include certain fees, taxes and charges that may be required by law or vary by manufacturer or region. Performance figures are guidelines only, and actual performance may vary. Photos may not represent actual vehicles or exact configurations. Content based on report preparer's input is subject to the accuracy of the input provided.

Data Version: 28437. Data Updated: May 9, 2026 1:47:00 AM UTC.

ITEM NO.	QTY.	DESCRIPTION
1	1	BODY WELD 6108D54H60 W&GR
2	1	SLIDE MASTER SM3-HD 72" X 50"
3	1	BUMPER AY GALVGRP94 REC W&GRKT
4	1	HITCH AY UB FD,RM,GM35 REC 21K
5	2	SLIDE MASTER SM3-HR SLIDE 43.5" X 28"
6	1	KIT,QK MT GM 60CA 2011+ 6"

GM REG CAB BODY SHOWN FOR REPRESENTATION ONLY



TRANSVERSE ON BOTH SIDES

1-1/2" SCH 40 PIPE

FALSE FLOOR

FIXED SHELF AT FLOOR HEIGHT ON BOTH SIDES OF TRANSVERSE

NOTE: SOME ITEMS NOT SHOWN FOR REFER ONLY

**VISUAL REPRESENTATION ONLY
NOT AN APPROVAL DRAWING**

0	00000	APPROVAL DRAWING	STHOMBAR93	05/07/2026
REV	ECO	CHANGE DESCRIPTION	BY	DATE
REVISION STATUS				



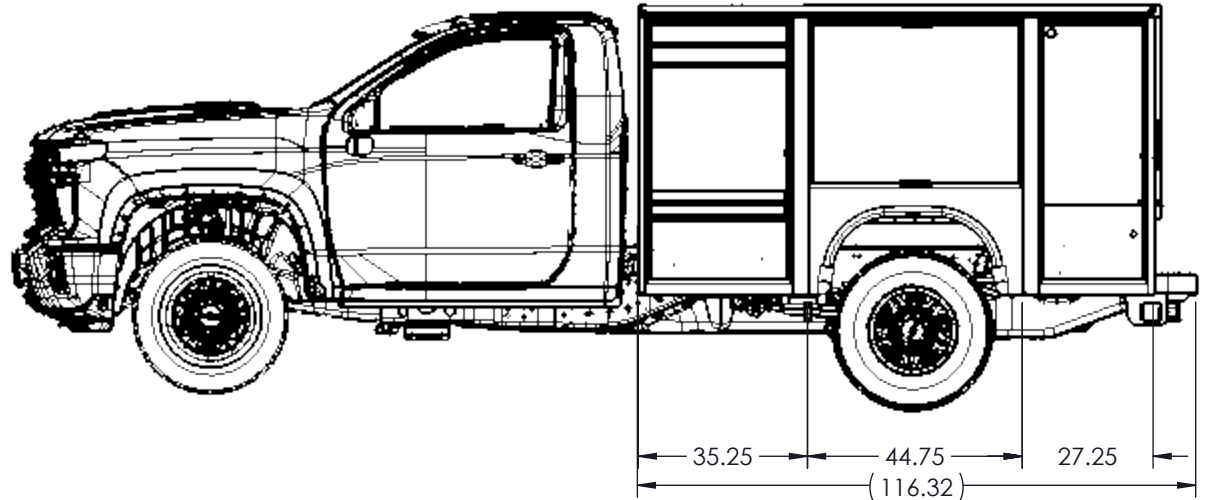
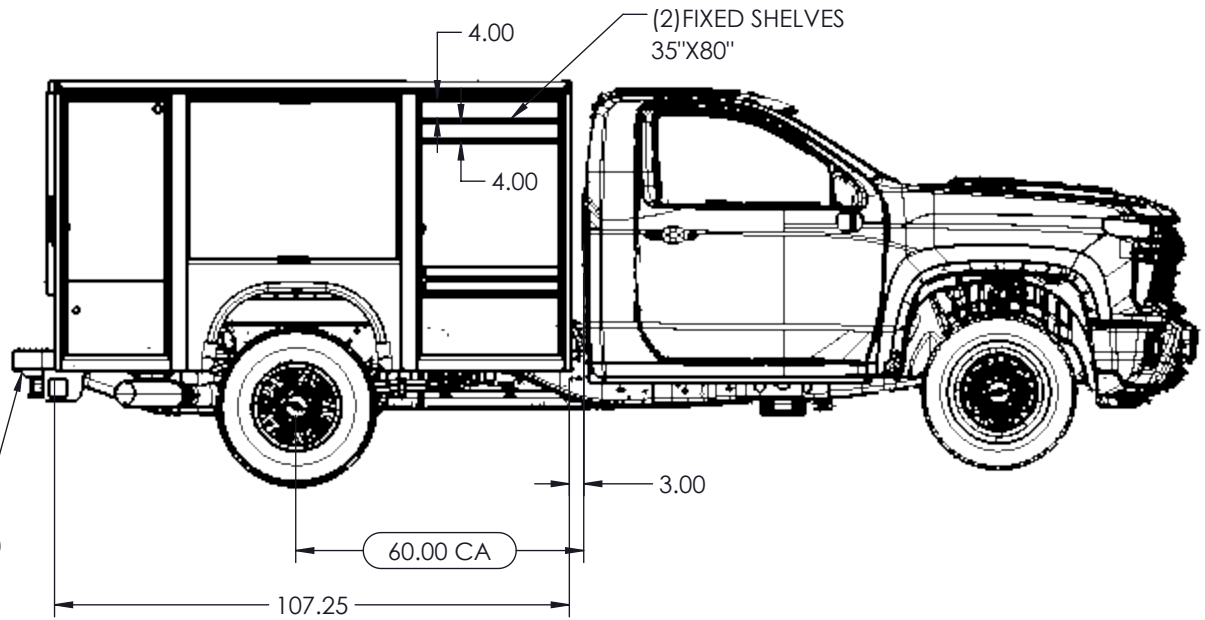
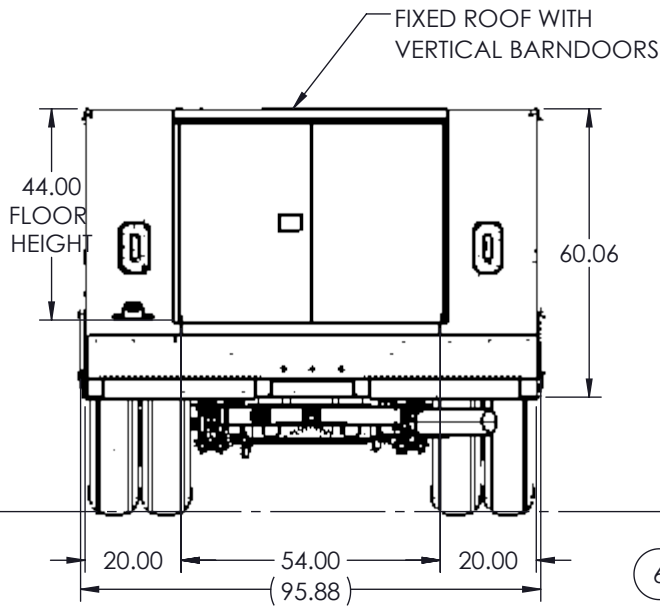
PROPERTY OF THE KNAPHEIDE MANUFACTURING COMPANY. QUANTITY 1, AND IS LOANED TO THE RECIPIENT SUBJECT TO RETURN UPON DEMAND. ITS CONTENTS ARE CONFIDENTIAL AND MUST NOT BE COPIED OR SUBMITTED TO OUTSIDE PARTIES FOR USE OR EXAMINATION.

UNLESS OTHERWISE SPECIFIED THE FOLLOWING TOLERANCES APPLY
 DECIMAL TOLERANCE
 .X ± 0.12
 .XX ± 0.06
 .XXX ± 0.03
 ANGLES ± 2°

DRAWING TITLE:
CLEARWATER CITY OF FL C2249-26

MATERIAL:
6108D54H60

CREATED BY: STHOMBAR93		CREATED ON: 05/07/2026	
SIZE: A	SCALE: 1:50	SHEET: 1 OF 2	
REFERENCE DRAWING:		REV: 0	ECO NO.: 00000
WEIGHT: 4071.69 lbs	PART NUMBER: 36890088		



ITEM NOT SHOWN:

- PAINT KNAP WHITE 108H60
- KIT, 2011 GM 60&84CA FUEL
- LED COMPARTMENT LIGHTS

**VISUAL REPRESENTATION ONLY
NOT AN APPROVAL DRAWING**



PROPERTY OF THE KNAPHEIDE MANUFACTURING COMPANY, QUINCY, IL AND IS LOANED TO THE RECIPIENT SUBJECT TO RETURN UPON DEMAND. ITS CONTENTS ARE CONFIDENTIAL AND MUST NOT BE COPIED OR SUBMITTED TO OUTSIDE PARTIES FOR USE OR EXAMINATION.

UNLESS OTHERWISE SPECIFIED THE FOLLOWING TOLERANCES APPLY

PRECISION	TOLERANCE
.X	± 0.12
.XX	± 0.06
.XXX	± 0.03
ANGLES	± 2°

DRAWING TITLE:
CLEARWATER CITY OF FL C2249-26

6108D54H60
MATERIAL:

CREATED BY:
STHOMBAR93

SIZE: A

SCALE: 1:40

REFERENCE DRAWING:

CREATED ON: 05/07/2026

SHEET: 2 OF 2

REV: 0

WEIGHT:
4071.69 lbs

PART NUMBER:
36890088

ECO NO.:
00000

LARGO FIRE RESCUE

MEDIC 40

PARAMEDICS

www.largo.com

STOUT'S
AUTO
Service & Repair
FREE INSPECTION

ALL PRICES INCLUDE FREIGHT AND INSTALLATION

KNAPHEIDE - KTEC

6' SINGLE REAR WHEEL

K 682J	Knapheide 6.5' utility body for Silverado with 41" CA (Includes 2nd Stage MSO, Weight Slip, & Completed Vehicle Certification.)	\$11,500.00
K 682FJ	Knapheide 6.5' flip top utility body for Silverado 41" CA (Includes 2nd Stage MSO, Weight Slip, & Completed Vehicle Certification.)	\$12,970.00

8'/9' SINGLE REAR WHEEL

K 696J	Knapheide 8' SRW utility body for 56" CA (Includes 2nd Stage MSO, Weight Slip, & Completed Vehicle Certification.)	\$11,365.00
K 696FJ	Knapheide 8' SRW flip top utility body for 56" CA (Includes 2nd Stage MSO, Weight Slip, & Completed Vehicle Certification.)	\$13,145.00
K 6108J	Knapheide 9' SRW utility body for 60" CA (Includes 2nd Stage MSO, Weight Slip, & Completed Vehicle Certification.)	\$12,795.00
K 6108F	Knapheide 9' SRW utility body with flip top lids for 60" CA (Includes 2nd Stage MSO, Weight Slip, & Completed Vehicle Certification.)	\$13,675.00

8' DUAL REAR WHEEL

K 696D54J	Knapheide 8' DRW utility body for 56" CA (Includes 2nd Stage MSO, Weight Slip, & Completed Vehicle Certification.)	\$12,710.00
K 696D54FJ	Knapheide 8' DRW flip top utility body for 56" CA	\$14,535.00

9' DUAL REAR WHEEL

K 6108DJ	Knapheide 9' DRW utility body for 60" CA [GM non-wide track only, not compatible with GTY] - (Includes 2nd Stage MSO, Weight Slip, & Completed Vehicle Certification.)	\$13,460.00
K 6108DFJ	Knapheide 9' DRW flip top utility body for 60" CA [GM non-wide track only, not compatible with GTY] - (CHEVY NON-GTY) (Includes 2nd Stage MSO, Weight Slip, & Completed Vehicle Certification.)	\$15,440.00
K 6108D54J	Knapheide 9' DRW Wide utility body 54" Load Floor for 60" CA (GMC/CHEVY Req's GTY) (Includes 2nd Stage MSO, Weight Slip, & Completed Vehicle Certification.)	\$13,850.00
K 6108D CUSTOM CWFD	Knapheide 6108D54H60 CUSTOM BODY RED PACKAGE (Clearwater Fire) 6108D54H60 Service Body	\$41,135.00

11' DUAL REAR WHEEL

K 6132D54J	Knapheide 11' DRW Wide utility body 54" Load Floor for 84" CA (GMC/CHEVY Req's GTY) (Includes 2nd Stage MSO, Weight Slip, & Completed Vehicle Certification.)	\$15,520.00
K 6132D54FJ	Knapheide 11' DRW Wide utility body with Flip Tops 54" Load Floor for 84" CA (GMC/CHEVY Req's GTY) (Includes 2nd Stage MSO, Weight Slip, & Completed Vehicle Certification.)	\$17,250.00

11' DUAL REAR WHEEL MEDIUM DUTY

K 6132D54 H46	(Silverado MD) Knapheide 11' DRW utility body with 46" High Side Compartments 54" Load Floor for 84" CA (Includes 2nd Stage MSO, Weight Slip, & Completed Vehicle Certification.)	\$15,295.00
K 6133HC	(FORD F650-F760) Knapheide 11' DRW utility body for 84" CA medium duty chassis. (Includes 2nd Stage MSO, Weight Slip, & Completed Vehicle Certification.)	\$27,280.00
K 6108D54 H46	(Silverado MD) Knapheide 9' DRW utility body with 46" High Side Compartments 54" Load Floor for 84" CA (Includes 2nd Stage MSO, Weight Slip, & Completed Vehicle Certification.)	\$15,290.00

11' DUAL REAR WHEEL LCF

K 6127D-LCF-G	Knapheide 11' DRW utility body for 86.5 CA Chevy Low Cab Forward GAS (Includes 2nd Stage MSO, Weight Slip, & Completed Vehicle Certification.)	\$14,300.00
K 6127D-LCF-D	Knapheide 11' DRW utility body for 86.5 CA Chevy Low Cab Forward DIESEL (Includes 2nd Stage MSO, Weight Slip, & Completed Vehicle Certification.)	\$23,135.00

UTILITY BODIES