

8207 SouthPark Circle
 Littleton, CO. 80120
 1.800.788.2810 F.303.683.5454
 www.xybix.com

Sales : Halley Barba

Email : HalleyB@xybix.com

Designer : Sarah Noonan

Email. : SarahN@xybix.com

Clearwater Police Department - EOC
 1700 N Belcher Rd.
 Clearwater, FL 33765

FINISH SELECTIONS

- Panel Trim : Black
- Panel Fabric Upper : . **COLOR**
- Panel Fabric Lower : . **COLOR**
- 3D Laminate Counter : . **COLOR**
- 3D Laminate Drawer&Door Front : . **COLOR**
- Melamine : . **COLOR**
- Edgeband : . **COLOR**
- Handle : . **COLOR**

SIGN OFF APPROVAL: Furniture orders and product installation shall not proceed until the Client has given approval to these documents. Approval of the Client shall constitute approval of the drawings for contents, scope of work and all dimensions regarded by the Client as being necessary to the use of space, furnishings and equipment. Furniture orders, or product installation authorized by the Client from these documents, shall be interpreted by XYBIX as approval in full to these documents by the Client. Revisions after approval shall result in additional costs.

Signature: _____ Title: _____ Date: _____

REVISIONS

REV	DESCRIPTION	DATE	DSGN
0	Drawing Creation	06.18.19	SN
1	New Layout	07.15.19	SN

Opportunity: 0021208

Drawing Name:
 COVER PAGE

SHEET: 1 of 6
 SCALE: 12" = 1'-0"

NOTE: This design & layout is the property of XYBIX Systems, Inc. & is not to be used in any written manner without express written permission by XYBIX Systems, Inc.

Sign-Off Initials: _____
 REV **1**

Sales : Halley Barba

Email : HalleyB@xybix.com

Designer : Sarah Noonan

Email : SarahN@xybix.com

Clearwater Police Department - EOC
 1700 N Belcher Rd.
 Clearwater, FL 33765

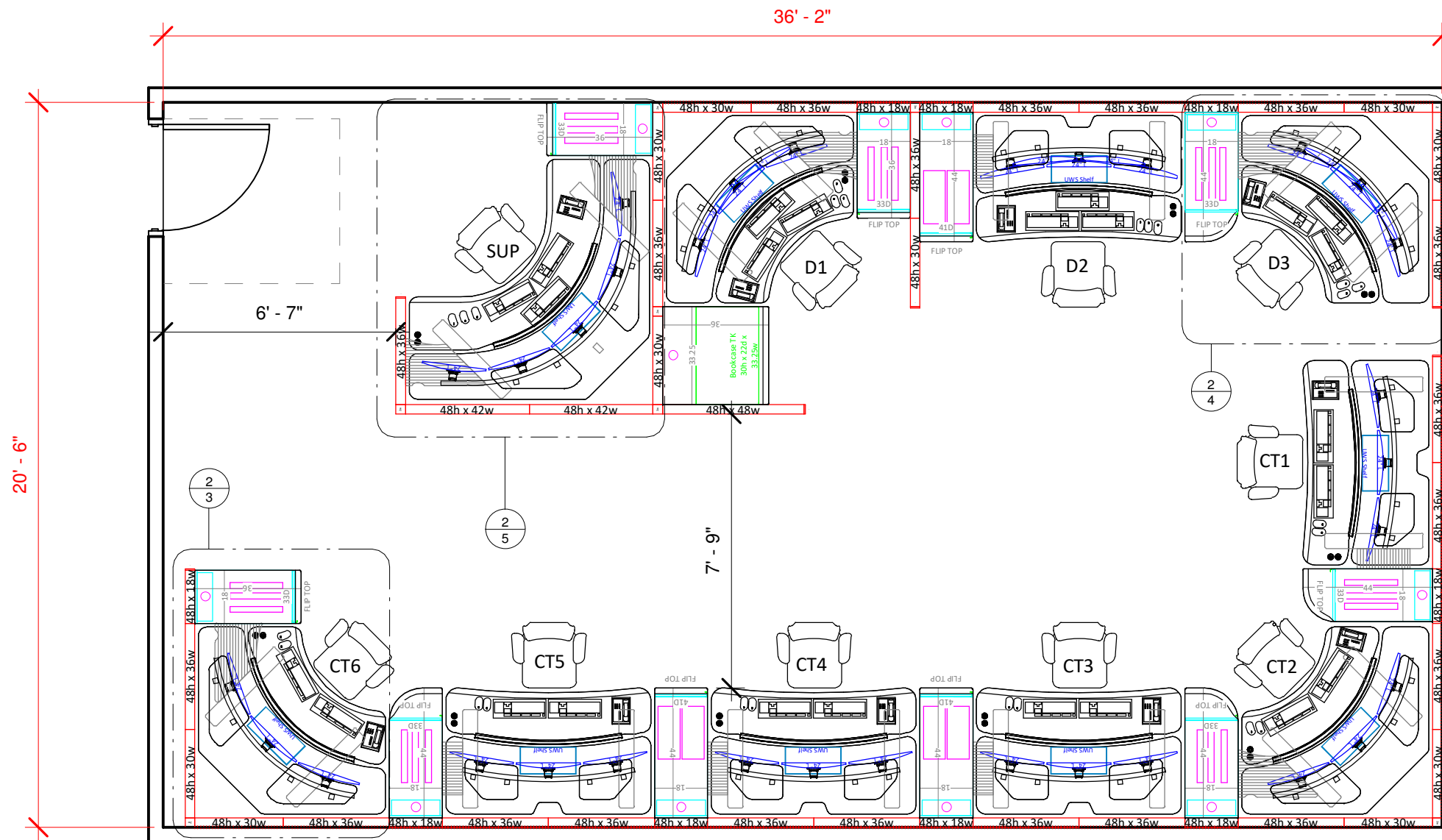
Opportunity: 0021208

Drawing Name:
 OVERALL VIEW

SHEET: 2 of 6
 SCALE: 1/4" = 1'-0"

NOTE: This design & layout is the property of XYBIX Systems, Inc. & is not to be used in any written manner without express written permission by XYBIX Systems, Inc.

Sign-Off Initials: _____
 REV **1**



1 OVERALL VIEW
 1/4" = 1'-0"

Sales : Halley Barba

Email : HalleyB@xybix.com

Designer : Sarah Noonan

Email : SarahN@xybix.com

Clearwater Police Department - EOC
 1700 N Belcher Rd.
 Clearwater, FL 33765

Opportunity: 0021208

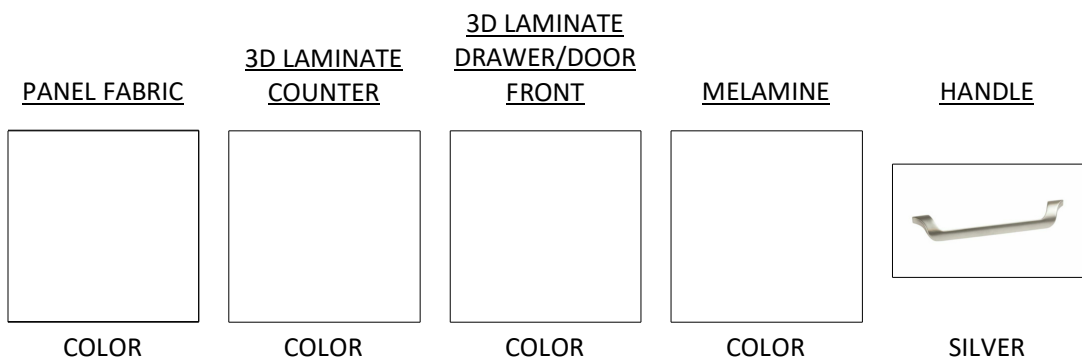
Drawing Name:
 TYPICAL CALL TAKER

SHEET: 3 of 6 SCALE: As indicated

NOTE: This design & layout is the property of XYBIX Systems, Inc. & is not to be used in any written manner without express written permission by XYBIX Systems, Inc.

Sign-Off Initials: _____

REV
1

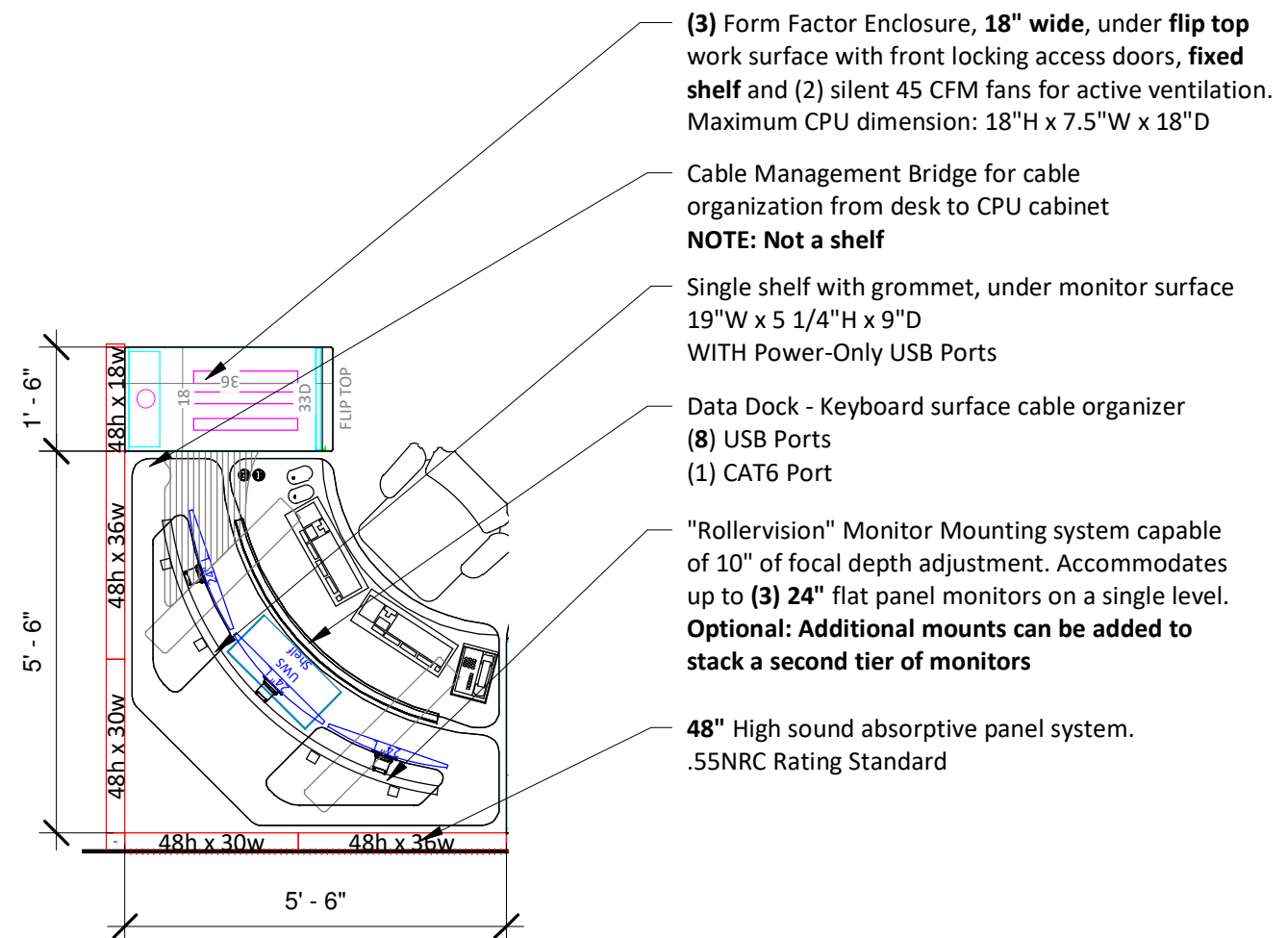


FINISHES *CONCEPTUAL IMAGES. REFER TO ACTUAL COLOR SAMPLES FOR EXACT COLOR REPRESENTATION*



① TYPICAL CALL TAKER RENDERING
 12" = 1'-0"

Xybix **66"x66"** Dual Surface Console with true sit to stand adjustment range of 22"-48" AFF, with L4 Table Base.



② CALL TAKER
 3/8" = 1'-0"



8207 SouthPark Circle
 Littleton, CO. 80120
 1.800.788.2810 F.303.683.5454
 www.xybix.com

Sales : Halley Barba

Email : HalleyB@xybix.com

Designer : Sarah Noonan

Email. : SarahN@xybix.com

Clearwater Police Department - EOC
 1700 N Belcher Rd.
 Clearwater, FL 33765

Opportunity: 0021208

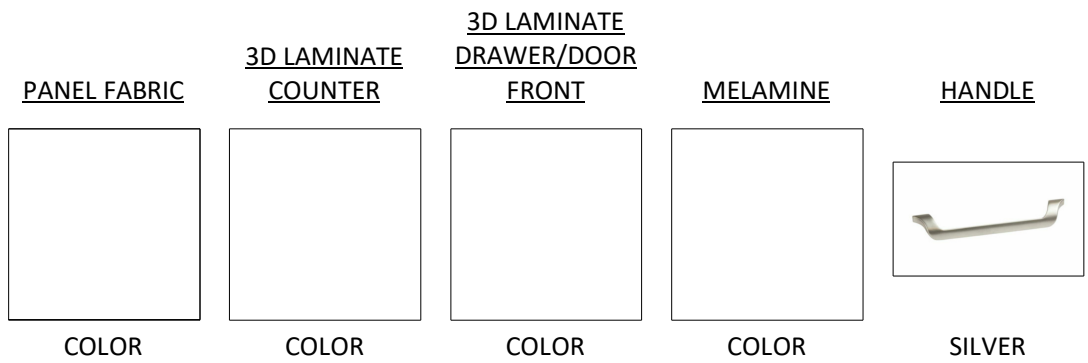
Drawing Name:
 TYPICAL DISPATCH

SHEET: 4 of 6 SCALE: As indicated

NOTE: This design & layout is the property of XYBIX Systems, Inc. & is not to be used in any written manner without express written permission by XYBIX Systems, Inc.

Sign-Off Initials: _____

REV
1



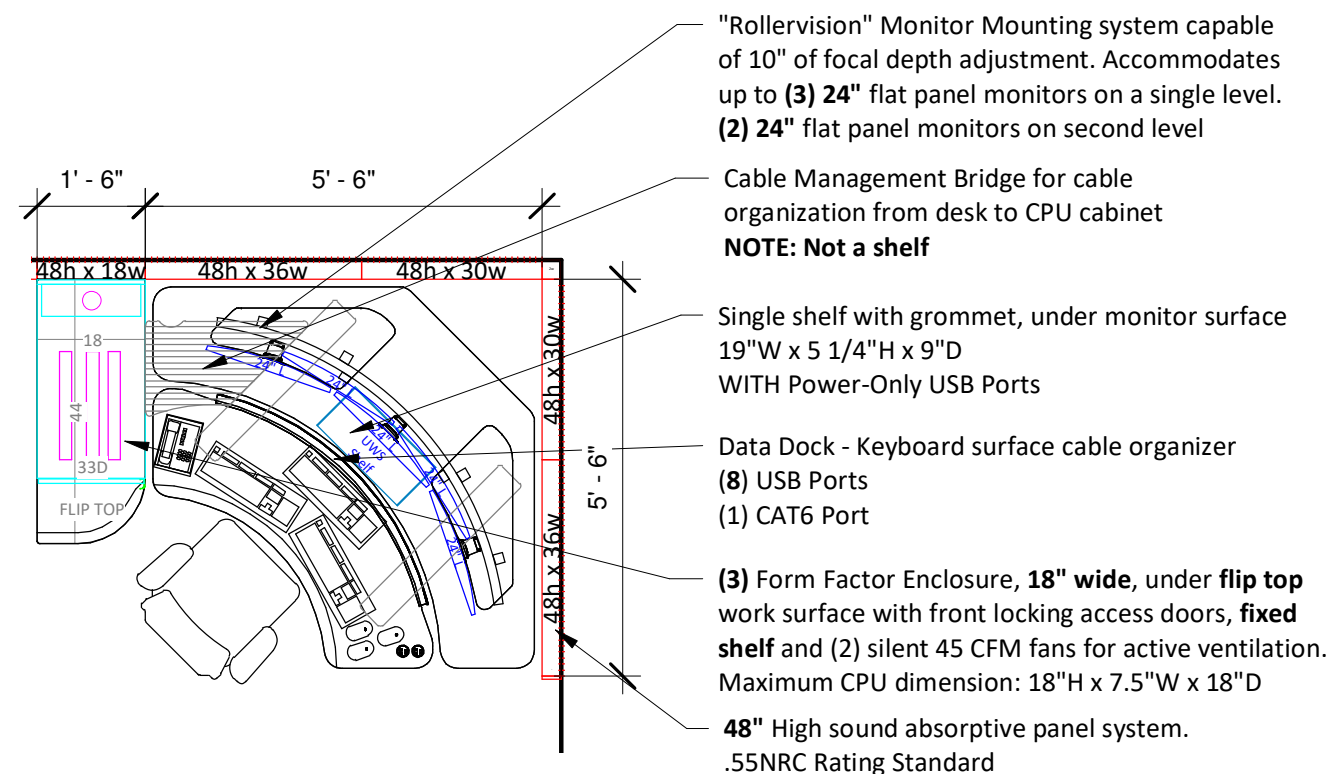
FINISHES

CONCEPTUAL IMAGES. REFER TO ACTUAL COLOR SAMPLES FOR EXACT COLOR REPRESENTATION



① TYPICAL DISPATCH RENDERING
 12" = 1'-0"

Xybix 66"x66" Dual Surface Console with true sit to stand adjustment range of 22"-48" AFF, with L4 Table Base.



② DISPATCH
 3/8" = 1'-0"

Sales : Halley Barba

Email : HalleyB@xybix.com

Designer : Sarah Noonan

Email. : SarahN@xybix.com

Clearwater Police Department - EOC
 1700 N Belcher Rd.
 Clearwater, FL 33765

Opportunity: 0021208

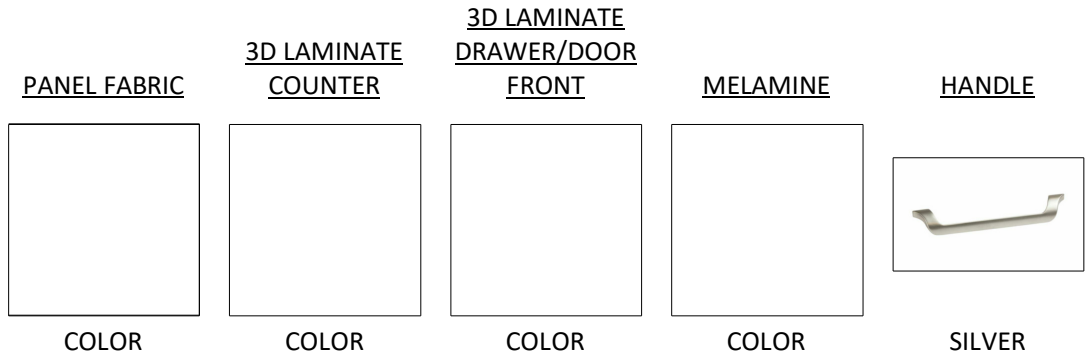
Drawing Name:
 SUPERVISOR

SHEET: 5 of 6
 SCALE: As indicated

NOTE: This design & layout is the property of XYBIX Systems, Inc. & is not to be used in any written manner without express written permission by XYBIX Systems, Inc.

Sign-Off Initials: _____

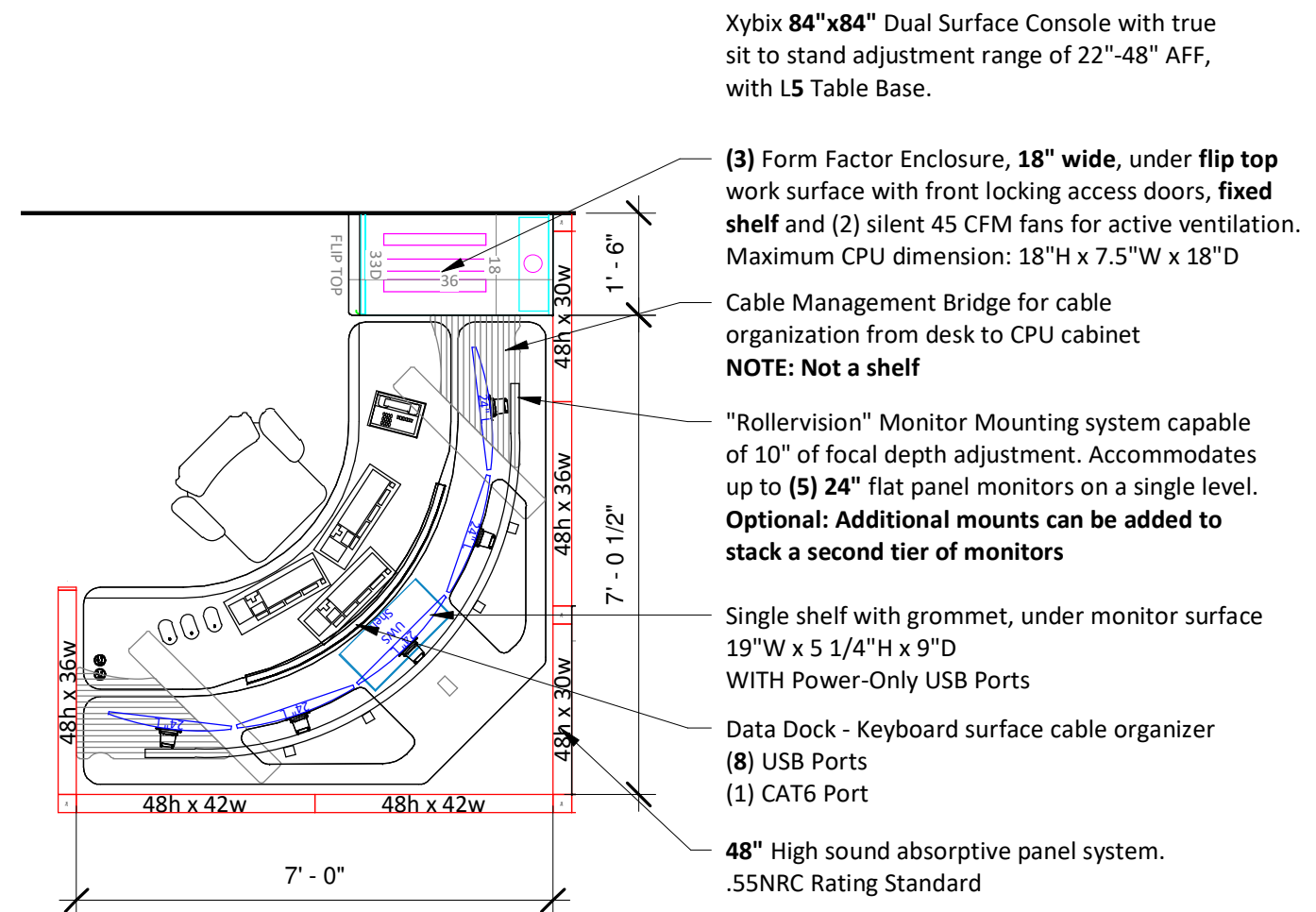
REV
1



FINISHES
 CONCEPTUAL IMAGES. REFER TO ACTUAL COLOR SAMPLES FOR EXACT COLOR REPRESENTATION



1 SUPERVISOR RENDERING
 12" = 1'-0"



2 SUPERVISOR
 3/8" = 1'-0"

EXTENSION CABLE CONNECTIONS



8207 SouthPark Circle
Littleton, CO. 80120
1.800.788.2810 F.303.683.5454
www.xybix.com

MONITOR EXTENSION CABLES **PER POSITION** Position Type _____

CABLE TYPE																
DESCRIPTION	<u>VGA</u> Male / Female Extension Standard connection for monitors		<u>DVI-D</u> Male / Female Extension Typical for Hi-Resolution		<u>DVI-I</u> 10' Max Length Male / Female Extension Typical for Hi-Resolution		<u>HDMI</u> Male / Male Replacement Typical for Hi-Resolution		<u>Display Port</u> Male / Male Replacement Typical for Hi-Resolution		<u>DB-9</u> 9 Pin Serial Cable		<u>USB</u> Keyboard Mouse		<u>AUDIO</u> Typical for Speakers	
QTY. NEEDED																

Sales : Halley Barba
Email : HalleyB@xybix.com
Designer : Sarah Noonan
Email : SarahN@xybix.com

DATA DOCK

For Keyboard; Mice and Phone connection.
Data Dock USB Cables are exclusively sold through Xybix only.

Standard Data Dock System will include:

- (1) CAT6 coupler
- (4) Dual-USB Ports (8 ports total)

STANDARD SHOWN



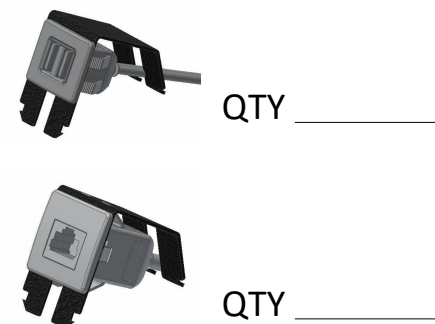
Clearwater Police Department - EOC
1700 N Belcher Rd.
Clearwater, FL 33765

OPTIONAL ITEMS

ADDITIONAL DATA DOCK CABLES

Indicate the number of each cable to be included **in addition** to the standard Data Dock

NOTE: These cables will be charge separately
NOTE: There are only 5 available spaces for these options



Power-Only USB
Location: shelf under monitor surface YES NO

If different cable connector types are required it is your responsibility to contact your designer or sales rep.

***** You agree that any changes to this order following receipt of sign-off drawing and PO may result in additional cost that will be expensed to the client *****

Signature: _____ Date: _____

Opportunity: 0021208
Drawing Name:
Cable Sheet

SHEET: 6 of 6
SCALE:

NOTE: This design & layout is the property of XYBIX Systems, Inc. & is not to be used in any written manner without express written permission by XYBIX Systems, Inc.

Sign-Off Initials: _____ REV **1**